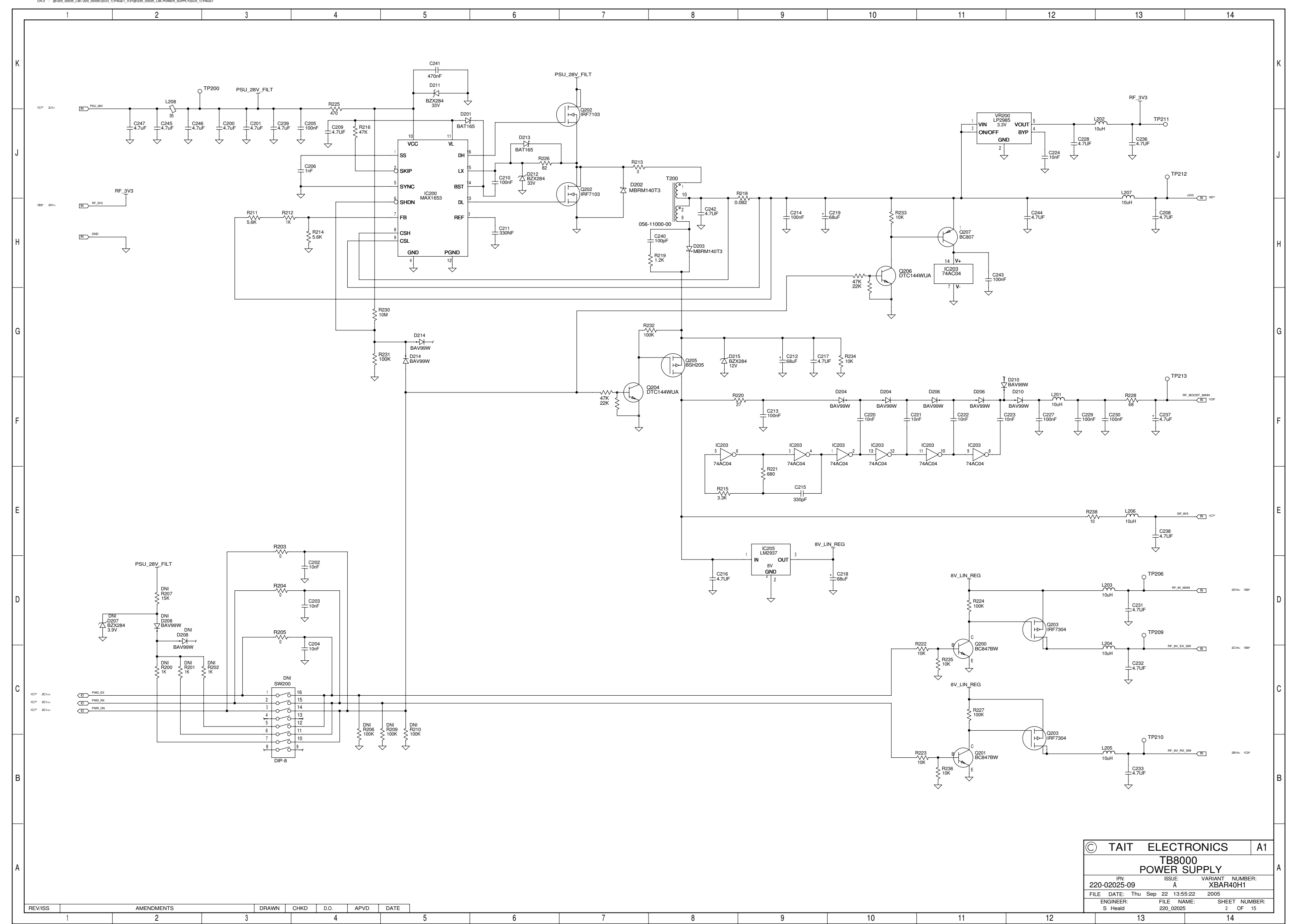


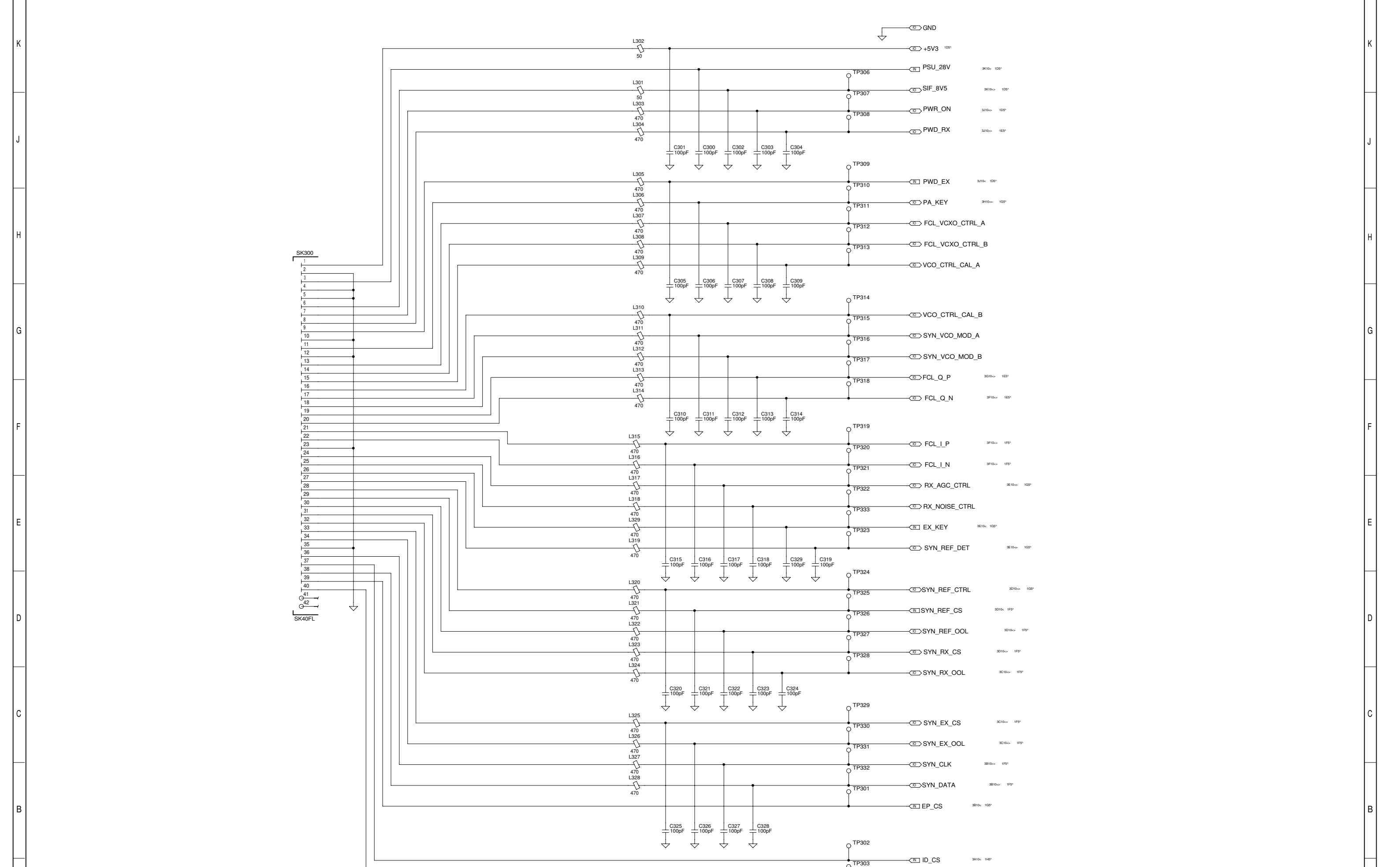
09A	COPIED FROM 226-00285-03	+ HELICAL COIL UPDATE	CJK	CK	CK	06SEP05
REV/ISS	AMENDMENTS		DRAWN	CHKD	D.O.	APVD DATE
1	2	3	4	5	6	7

© TAIT ELECTRONICS		A1
TB8000		
RECITER RF TOP LEVEL		
IPN:	ISSUE:	VARIANT NUMBER:
220-02025-09	A	XBAR40H1
FILE DATE:	Thu Sep 22 13:55:02 2005	SHEET NUMBER:
ENGINEER:	FILE NAME:	SHEET NUMBER:
S Heald	220_02025	1 OF 15

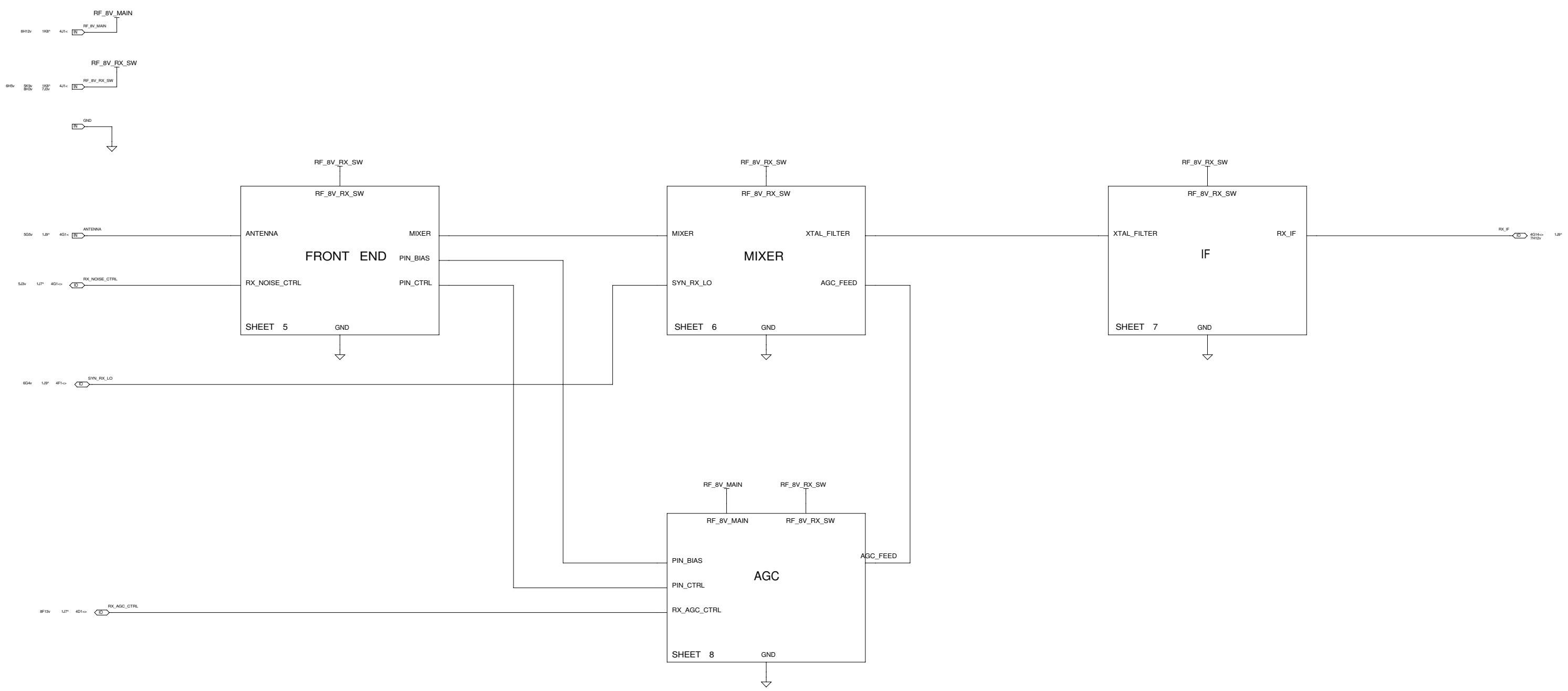


© TAIT ELECTRONICS		A1
TB8000 POWER SUPPLY		
IPN: 220-02025-09	ISSUE: A	VARIANT NUMBER: XBAR40H1
FILE DATE: Thu Sep 22 13:55:22 2005		
ENGINEER: S Heald	FILE NAME: 220_02025	SHEET NUMBER: 2 OF 15

REV/ISS	AMENDMENTS	DRAWN	CHKD	D.O.	APVD	DATE
1						

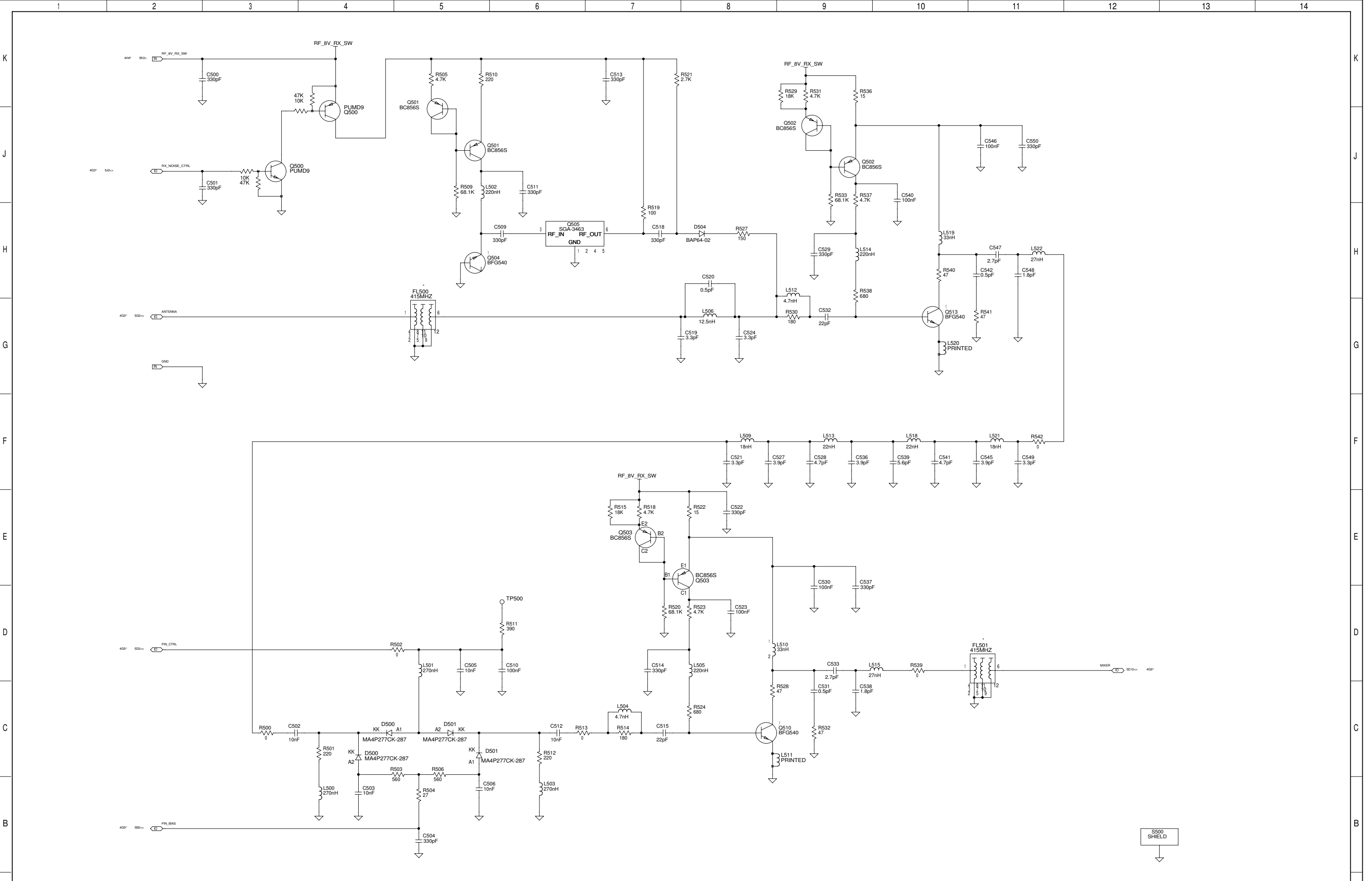


© TAIT ELECTRONICS		A1
TB8000 RF CONN		
IPN: 220-02025-09	ISSUE: A	VARIANT NUMBER: XBAR40H1
FILE DATE: Thu Sep 22 13:55:35 2005	SHEET NUMBER: 3 OF 15	
ENGINEER: S Heald	FILE NAME: 220_02025	SHEET NUMBER: 3 OF 15



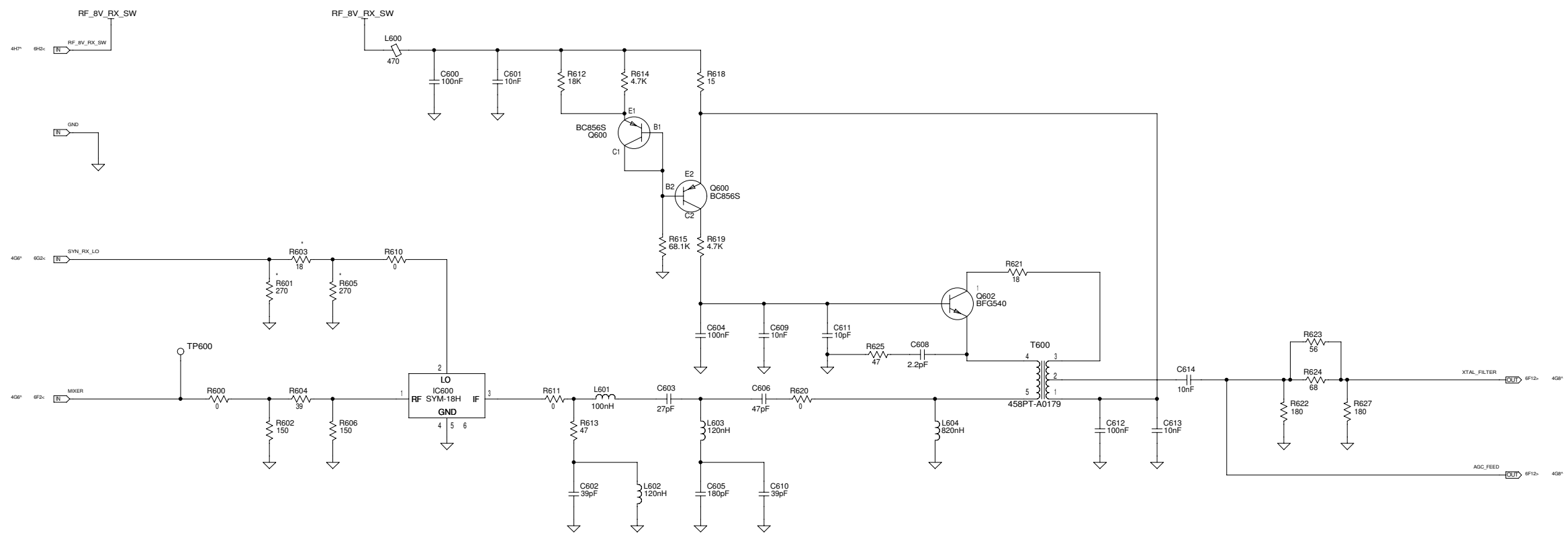
© TAIT ELECTRONICS		A1
TB8000 RECEIVER		
IPN: 220-02025-09	ISSUE: A	VARIANT NUMBER: XBAR40H1
FILE DATE: Thu Sep 22 13:55:38 2005		
ENGINEER: S Heald	FILE NAME: 220_02025	SHEET NUMBER: 4 OF 15

REV/ISS	AMENDMENTS	DRAWN	CHKD	D.O.	APVD	DATE
1						



© TAIT ELECTRONICS		A1
TB8000 FRONT END		
IPN: 220-02025-09	ISSUE: A	VARIANT NUMBER: XBAR40H1
FILE DATE: Thu Sep 22 13:56:00 2005		
ENGINEER: S Heald	FILE NAME: 220_02025	SHEET NUMBER: 5 OF 15

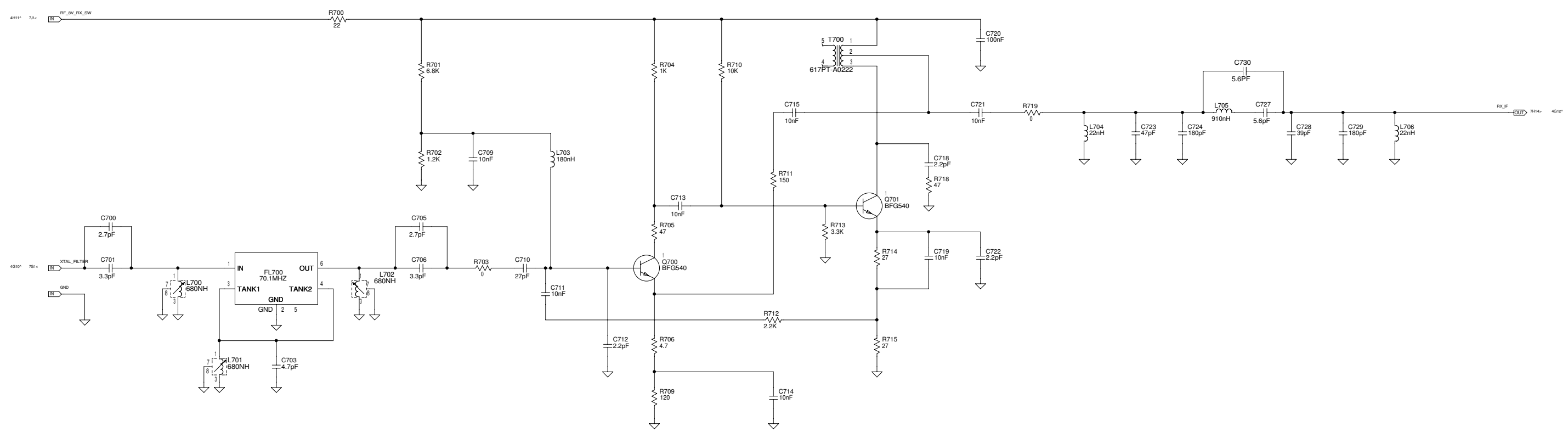
REV/ISS	AMENDMENTS	DRAWN	CHKD	D.O.	APVD	DATE
1						
2						
3						
4						
5						
6						
7						
8						
9						
10						
11						
12						
13						
14						



S600 SHIELD

© TAIT ELECTRONICS		A1
TB8000 MIXER		
IPN: 220-02025-09	ISSUE: A	VARIANT NUMBER: XBAR40H1
FILE DATE: Thu Sep 22 13:56:13 2005		
ENGINEER: S Heald	FILE NAME: 220_02025	SHEET NUMBER: 6 OF 15

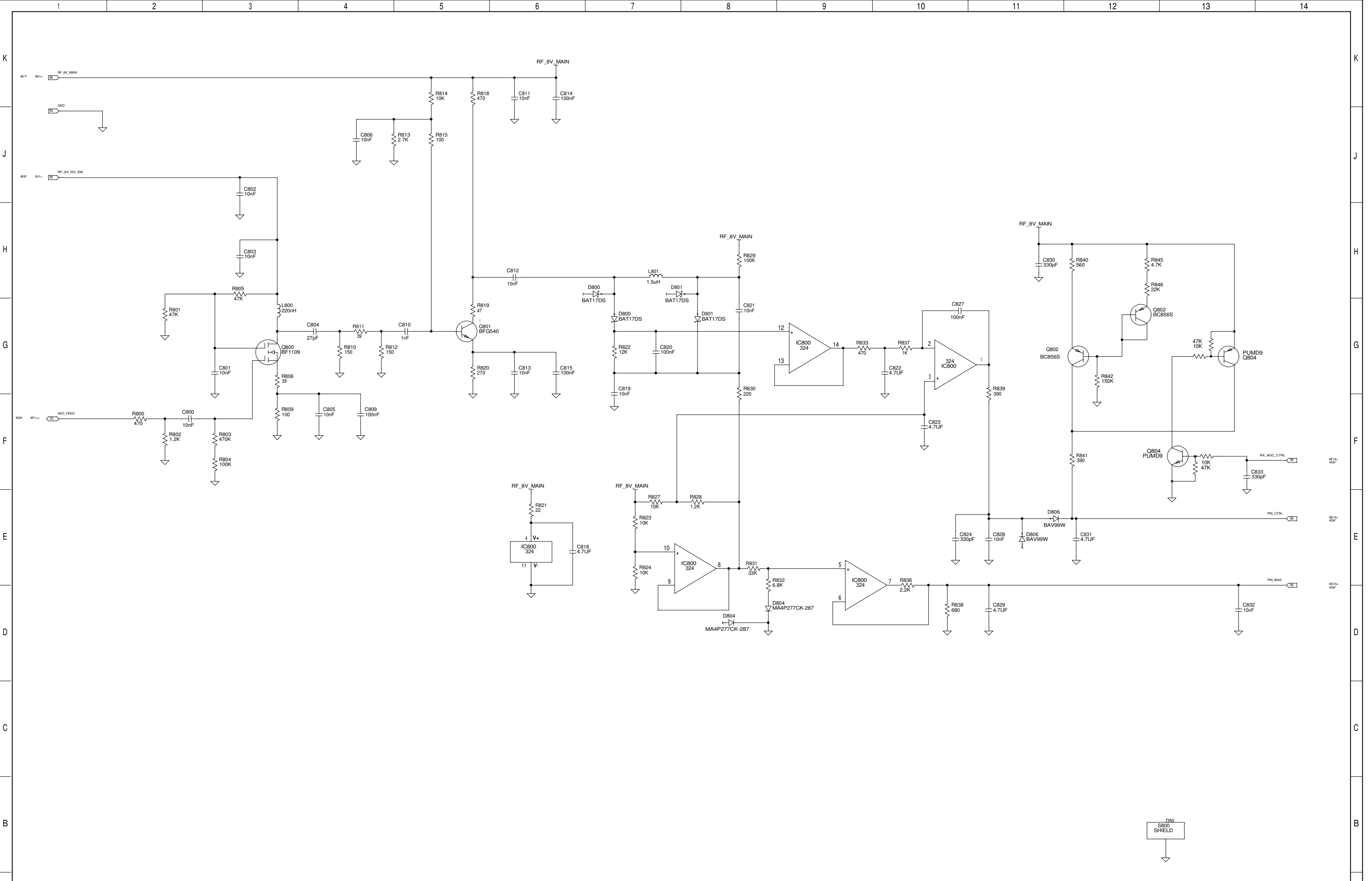
REV/ISS	AMENDMENTS	DRAWN	CHKD	D.O.	APVD	DATE
1						
2						
3						
4						
5						
6						
7						
8						
9						
10						
11						
12						
13						
14						



DNI
S700
SHIELD

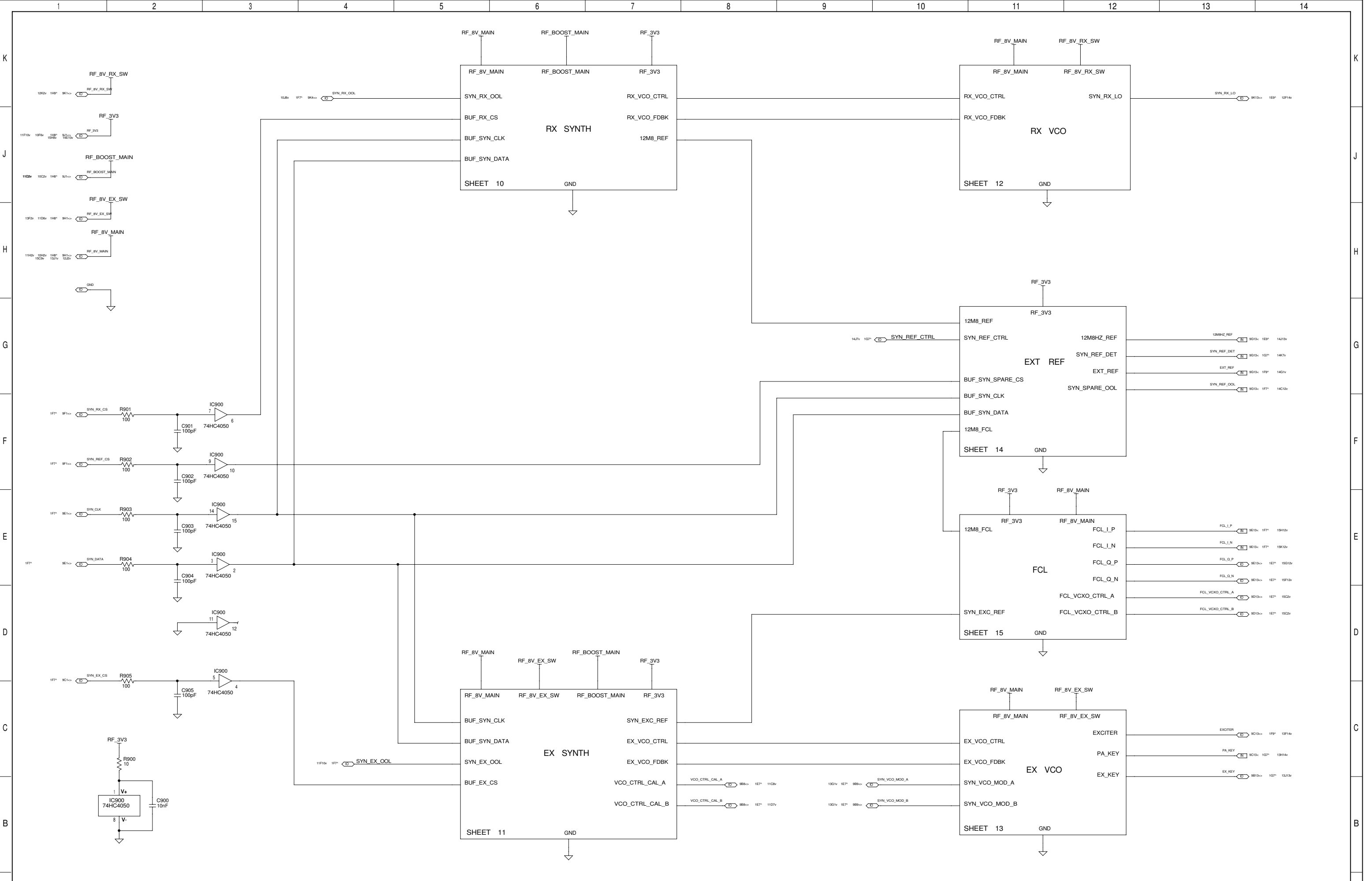
© TAIT ELECTRONICS		A1
TB8000 IF		
IPN: 220-02025-09	ISSUE: A	VARIANT NUMBER: XBAR40H1
FILE DATE: Thu Sep 22 13:56:22 2005	FILE NAME: 220_02025	SHEET NUMBER: 7 OF 15
ENGINEER: S Heald	FILE NAME: 220_02025	SHEET NUMBER: 7 OF 15

REV/ISS	AMENDMENTS	DRAWN	CHKD	D.O.	APVD	DATE
1						
2						
3						
4						
5						
6						
7						
8						
9						
10						
11						
12						
13						
14						



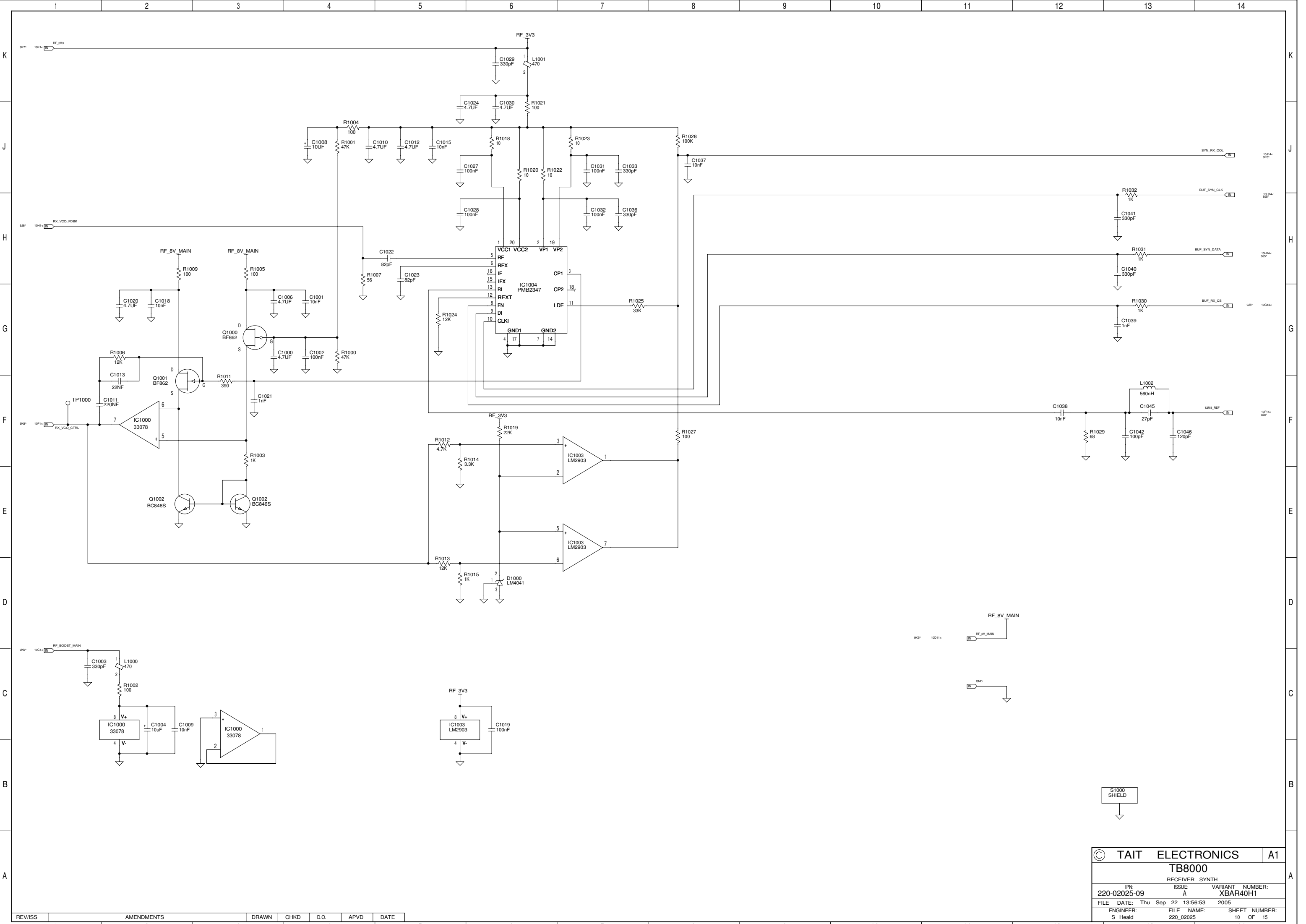
© TAIT ELECTRONICS		A1
TB8000 AGC		
IPN: 220-02025-09	ISSUE: A	VARIANT NUMBER: XBAR40H1
FILE DATE: Thu Sep 22 13:56:34 2005	ENGINEER: S Heald	FILE NAME: 220_02025
		SHEET NUMBER: 8 OF 15

REV/ISS	AMENDMENTS	DRAWN	CHKD	D.O.	APVD	DATE
1						
2						
3						
4						
5						
6						
7						
8						
9						
10						
11						
12						
13						
14						



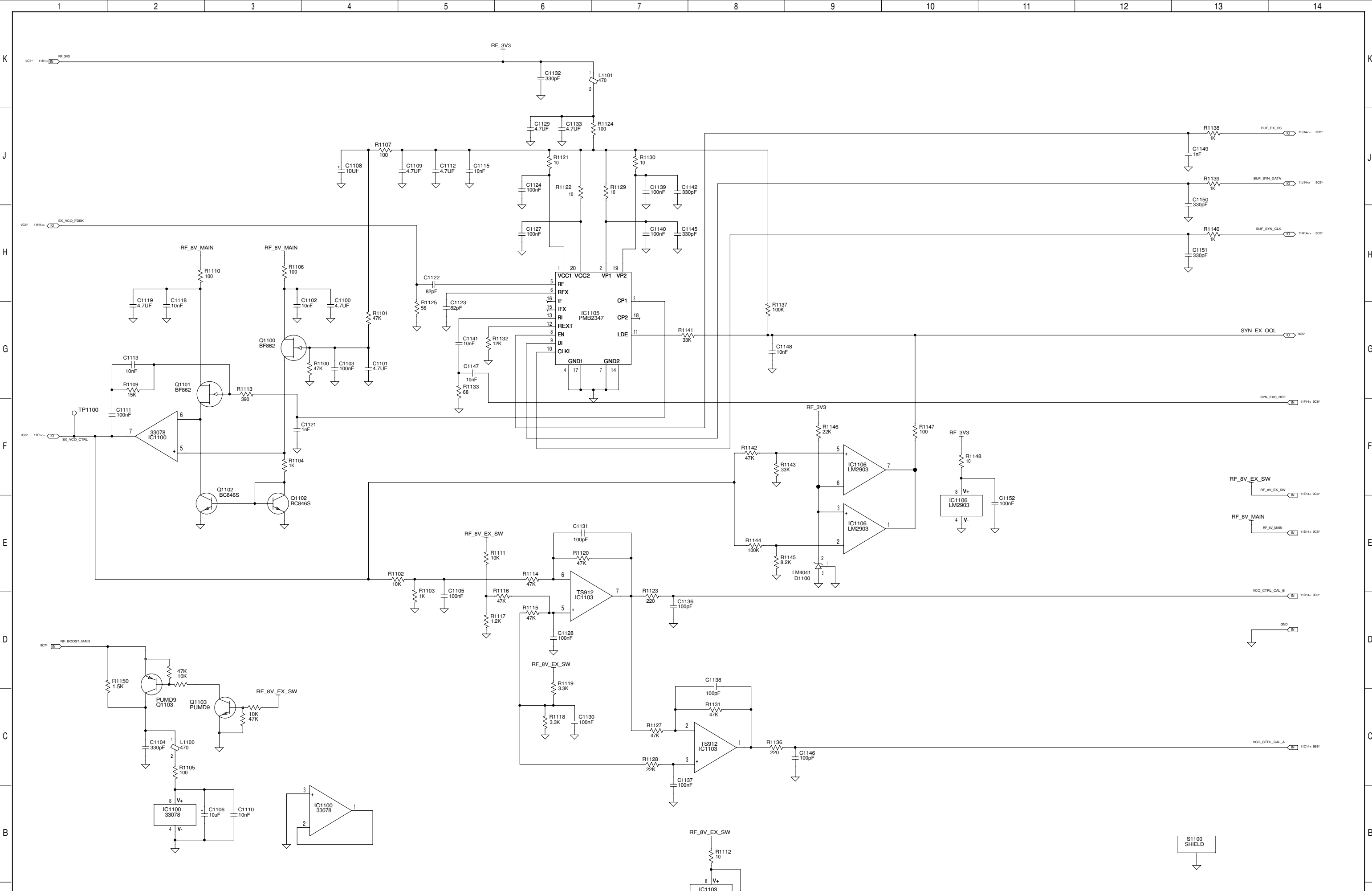
© TAIT ELECTRONICS		A1
TB8000 SYNTH & VCOS		
IPN: 220-02025-09	ISSUE: A	VARIANT NUMBER: XBAR40H1
FILE DATE: Thu Sep 22 13:56:40 2005	ENGINEER: S Heald	FILE NAME: 220_02025
		SHEET NUMBER: 9 OF 15

REV/ISS	AMENDMENTS	DRAWN	CHKD	D.O.	APVD	DATE
1						
2						
3						
4						
5						
6						
7						
8						
9						
10						
11						
12						
13						
14						



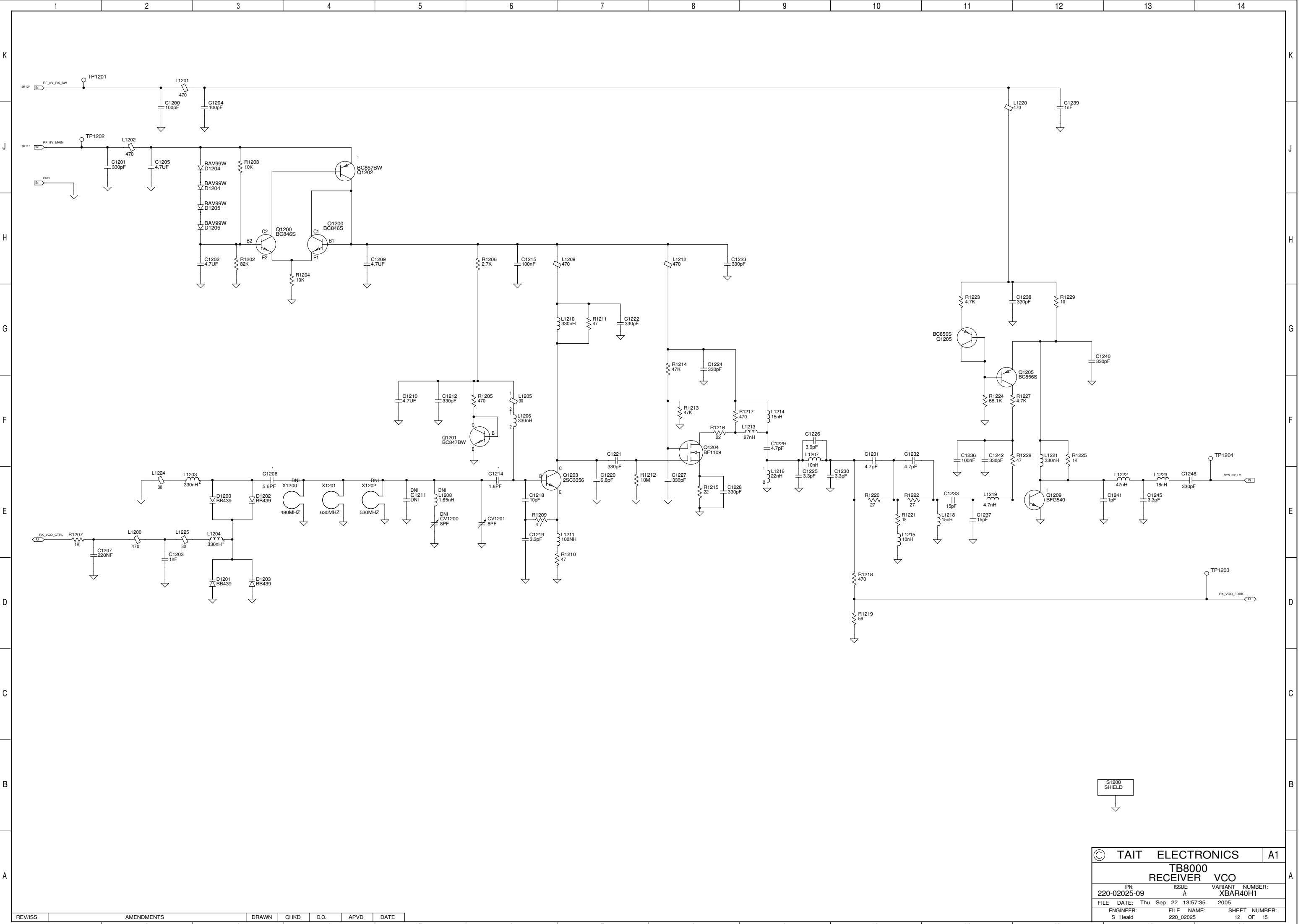
© TAIT ELECTRONICS		A1
TB8000		
RECEIVER SYNTH		
IPN: 220-02025-09	ISSUE: A	VARIANT NUMBER: XBAR40H1
FILE DATE: Thu Sep 22 13:56:53 2005		
ENGINEER: S Heald	FILE NAME: 220_02025	SHEET NUMBER: 10 OF 15

REV/ISS	AMENDMENTS	DRAWN	CHKD	D.O.	APVD	DATE
1						
2						
3						
4						
5						
6						
7						
8						
9						
10						
11						
12						
13						
14						



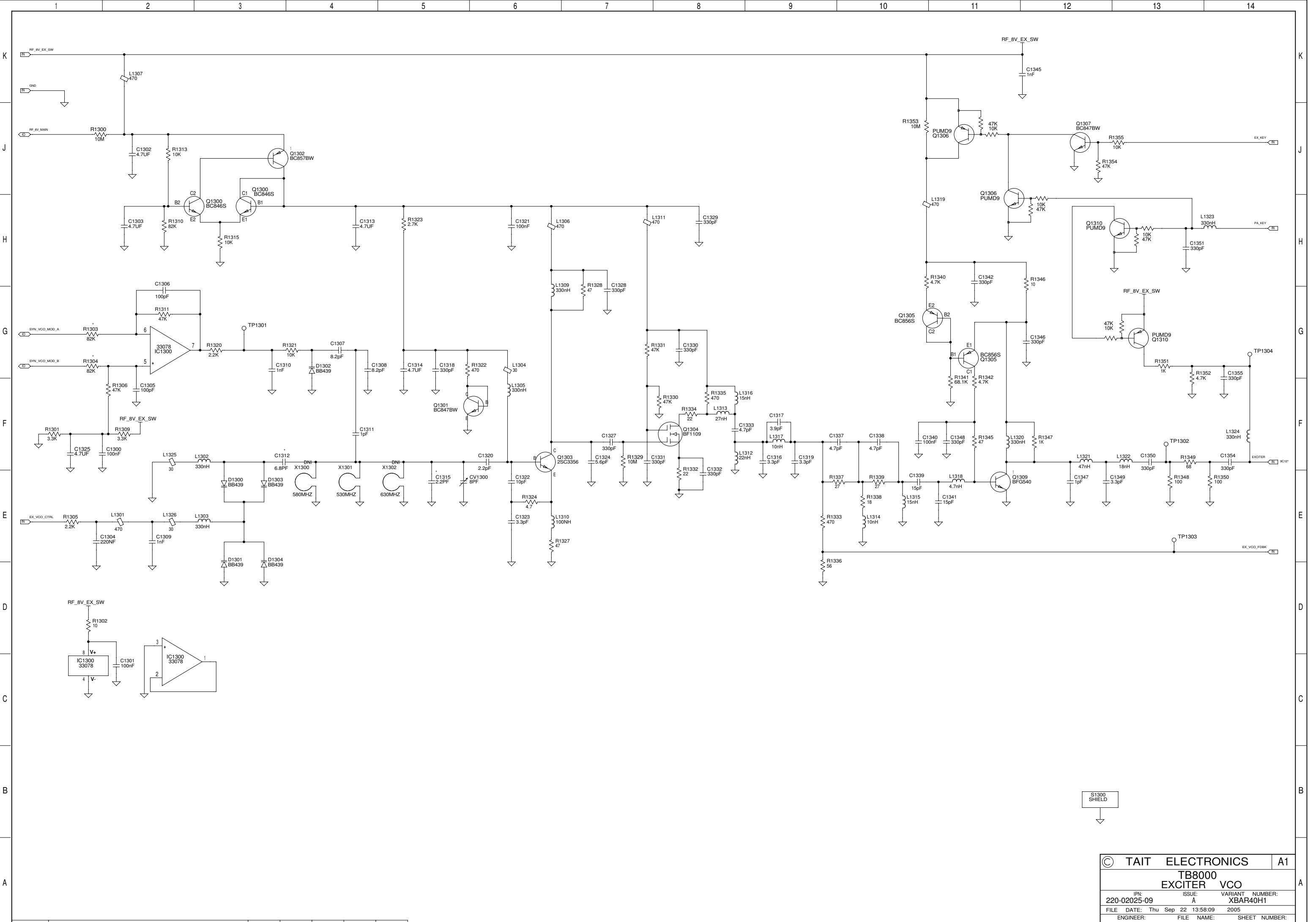
© TAIT ELECTRONICS		A1
TB8000 EXCITER SYNTH		
IPN: 220-02025-09	ISSUE: A	VARIANT NUMBER: XBAR40H1
FILE DATE: Thu Sep 22 13:57:09 2005	ENGINEER: S Heald	SHEET NUMBER: 11 OF 15

REV/ISS	AMENDMENTS	DRAWN	CHKD	D.O.	APVD	DATE
1						
2						
3						
4						
5						



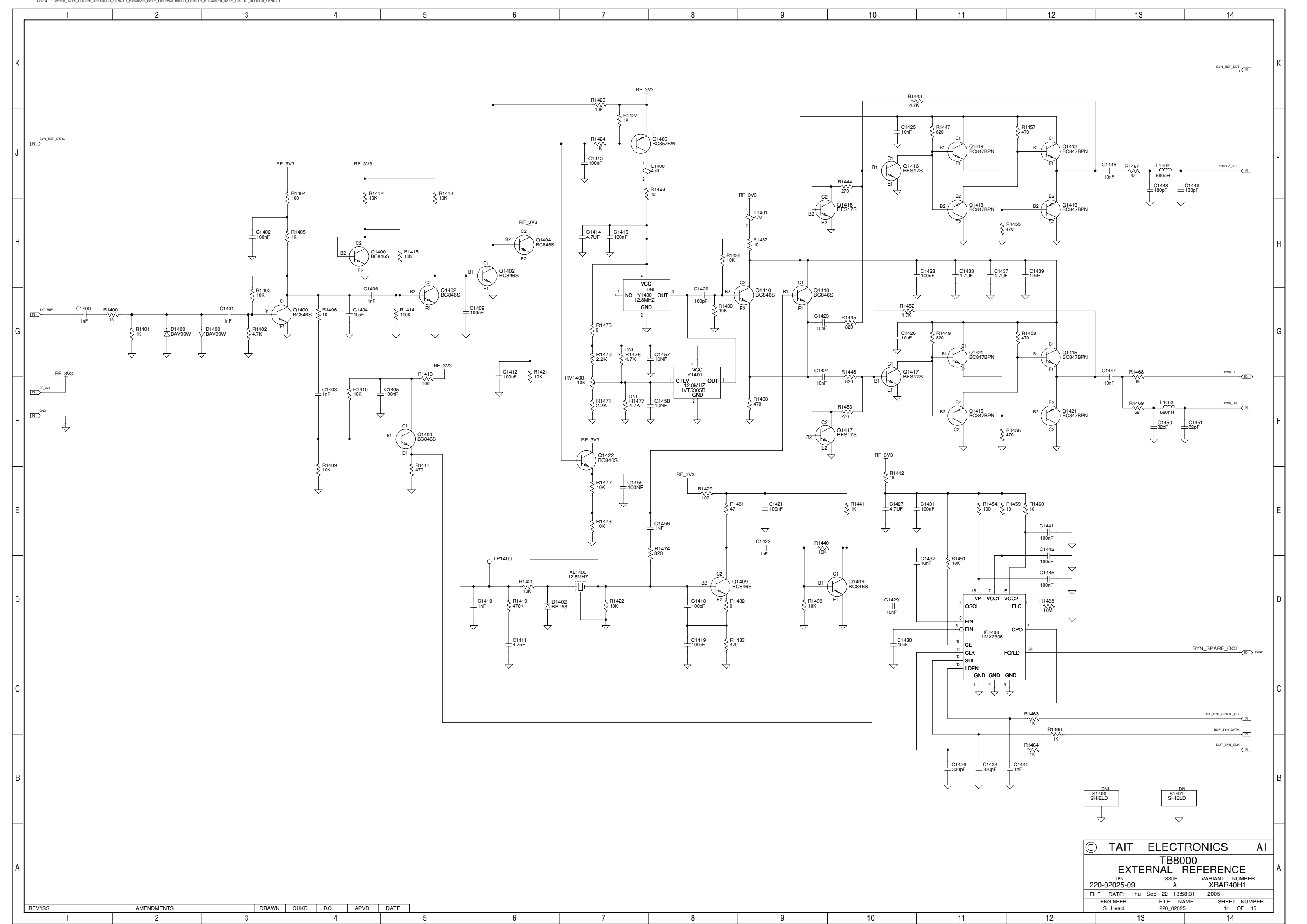
© TAIT ELECTRONICS		A1
TB8000 RECEIVER VCO		
IPN: 220-02025-09	ISSUE: A	VARIANT NUMBER: XBAR40H1
FILE DATE: Thu Sep 22 13:57:35 2005	ENGINEER: S Heald	
FILE NAME: 220_02025	SHEET NUMBER: 12 OF 15	

REV/ISS	AMENDMENTS	DRAWN	CHKD	D.O.	APVD	DATE
1						
2						
3						
4						
5						
6						
7						
8						
9						
10						
11						
12						
13						
14						



© TAIT ELECTRONICS		A1
TB8000 EXCITER VCO		
IPN: 220-02025-09	ISSUE: A	VARIANT NUMBER: XBAR40H1
FILE DATE: Thu Sep 22 13:58:09 2005	ENGINEER: S Heald	FILE NAME: 220_02025
		SHEET NUMBER: 13 OF 15

REV/ISS	AMENDMENTS	DRAWN	CHKD	D.O.	APVD	DATE
1						
2						
3						
4						
5						
6						
7						
8						
9						
10						
11						
12						
13						
14						

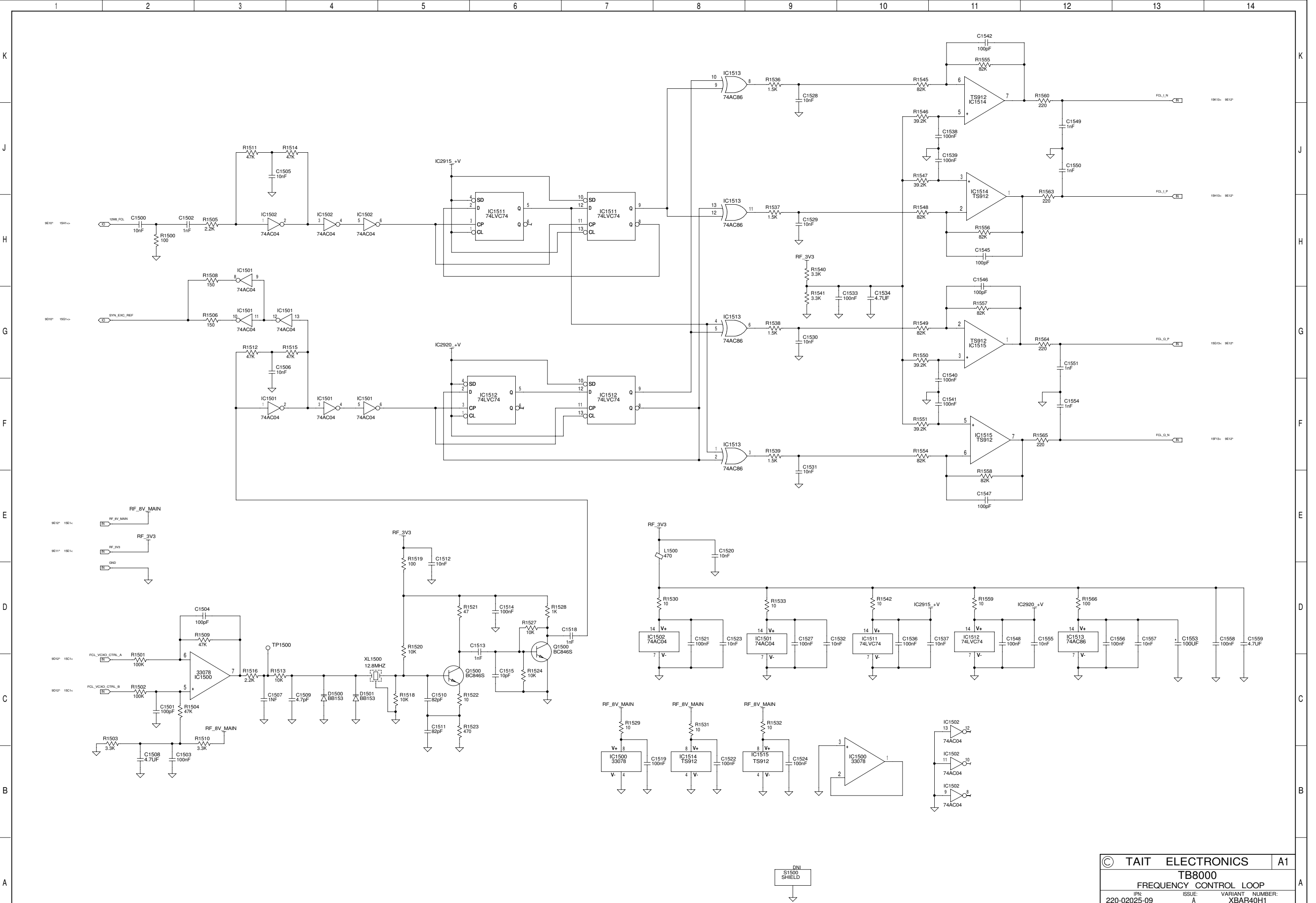


© TAIT ELECTRONICS		A1
TB8000 EXTERNAL REFERENCE		
IPN: 220-02025-09	ISSUE: A	VARIANT NUMBER: XBAR40H1
FILE DATE: Thu Sep 22 13:58:31 2005		
ENGINEER: S Heald	FILE NAME: 220_02025	SHEET NUMBER: 14 OF 15

REV/ISS	AMENDMENTS	DRAWN	CHKD	D.O.	APVD	DATE
1						
2						
3						
4						
5						

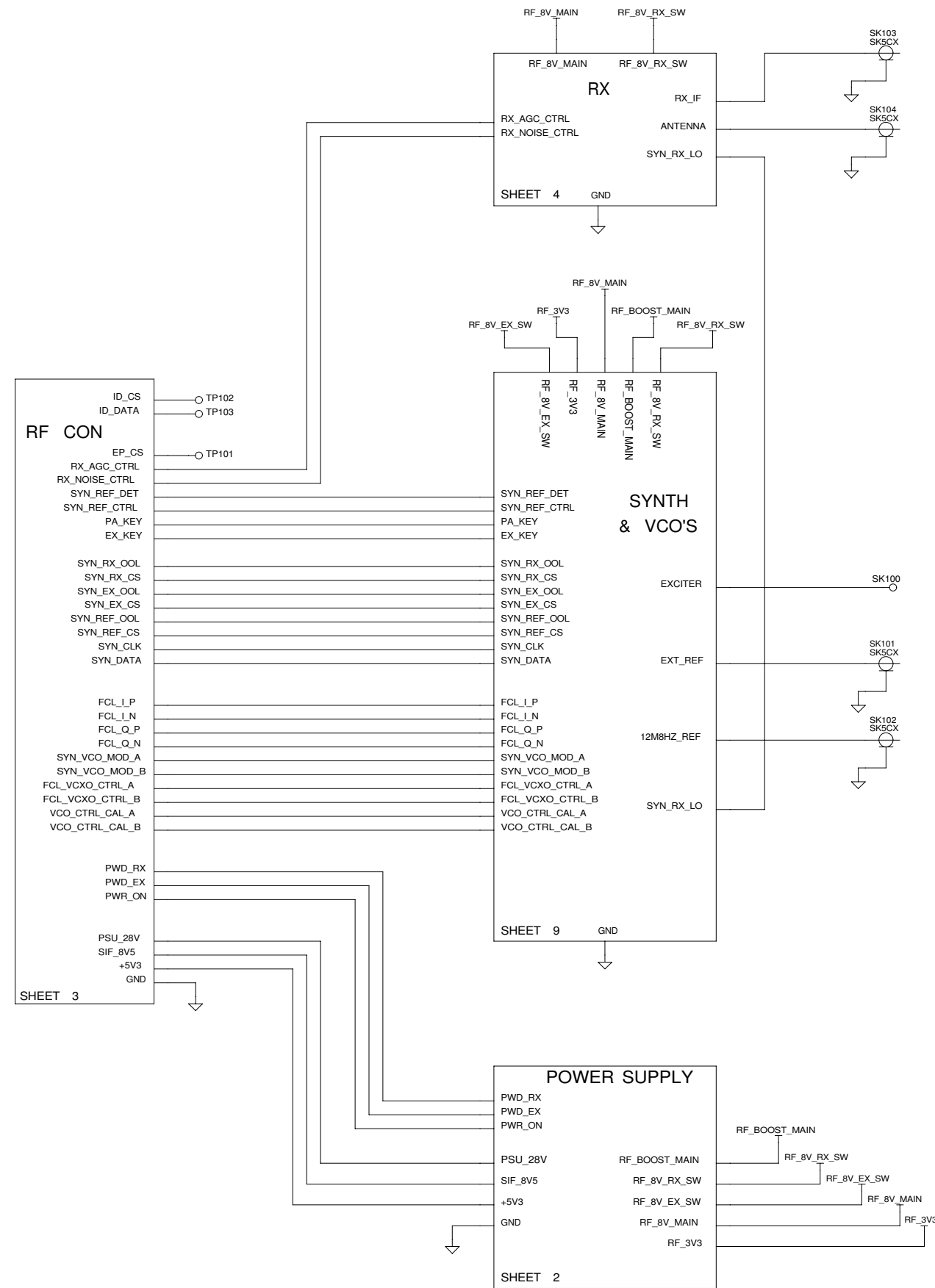
DNI
S1400
SHIELD

DNI
S1401
SHIELD



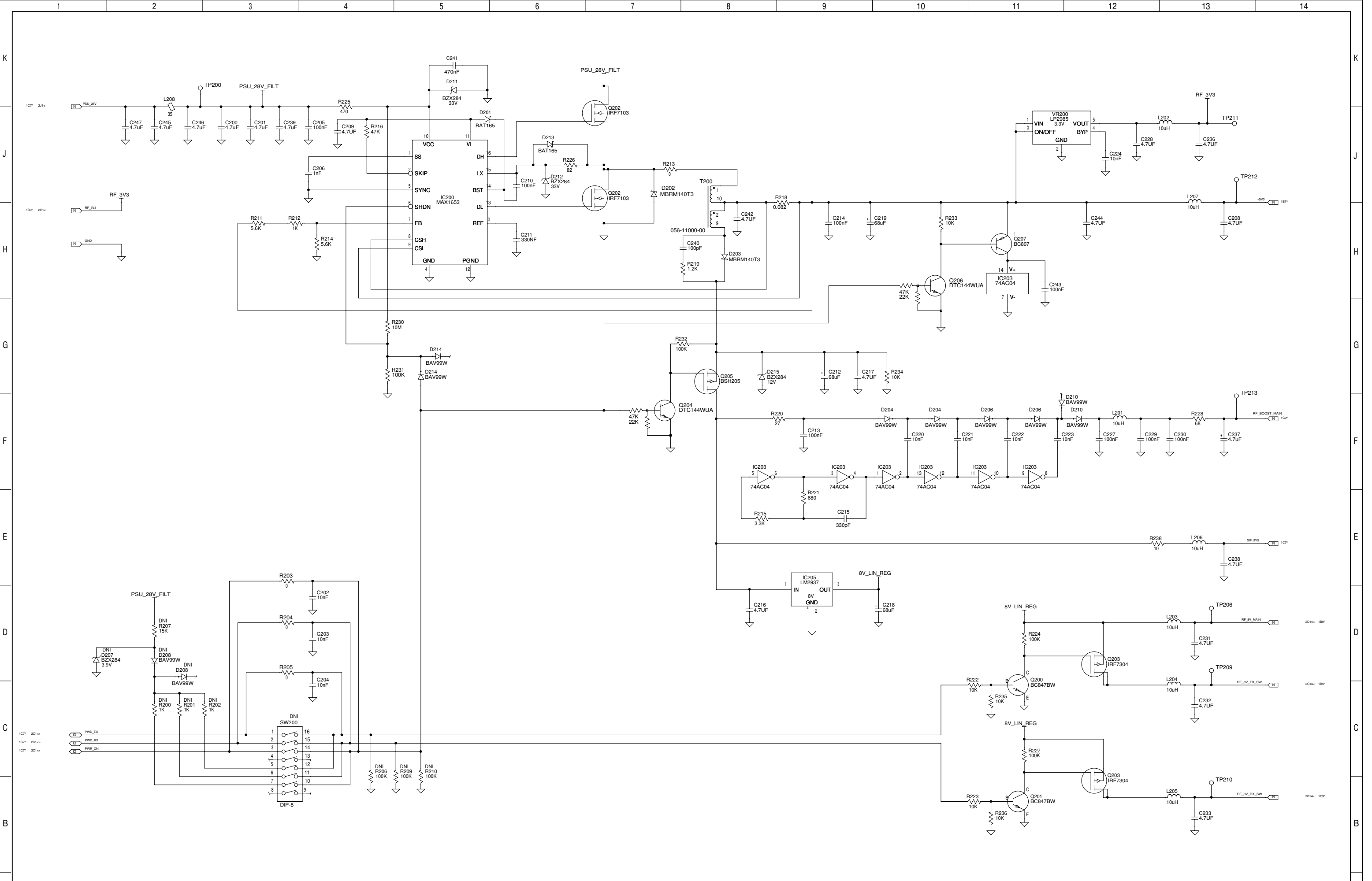
© TAIT ELECTRONICS		A1
TB8000		
FREQUENCY CONTROL LOOP		
IPN: 220-02025-09	ISSUE: A	VARIANT NUMBER: XBAR40H1
FILE DATE: Thu Sep 22 13:58:52 2005	ENGINEER: S Heald	FILE NAME: 220_02025
		SHEET NUMBER: 15 OF 15

REV/ISS	AMENDMENTS	DRAWN	CHKD	D.O.	APVD	DATE
1						



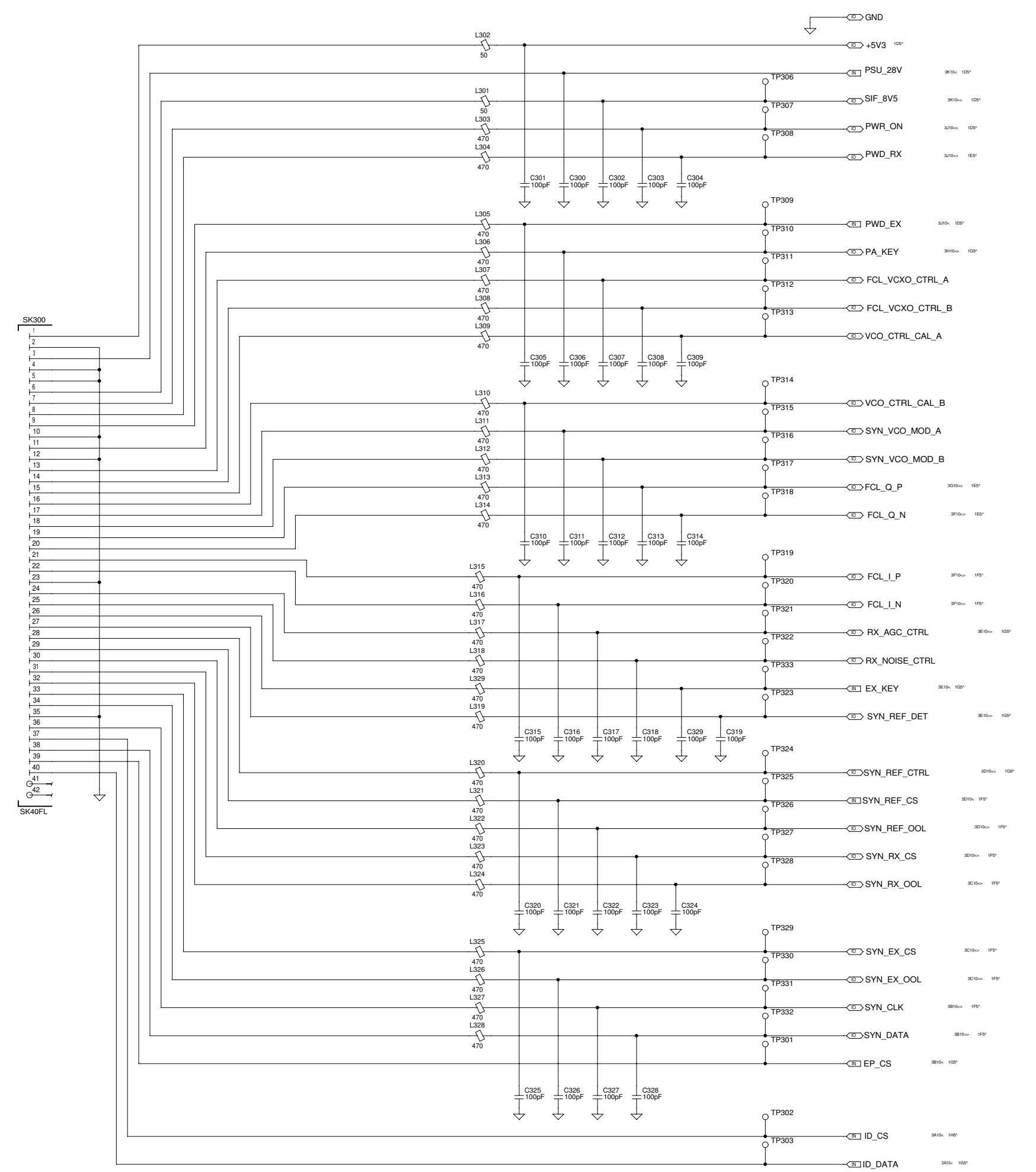
09A	COPIED FROM 226-00285-03	+ HELICAL COIL UPDATE	CJK	CK	CK	06SEP05
REV/ISS	AMENDMENTS		DRAWN	CHKD	D.O.	APVD DATE
1	2	3	4	5	6	7

© TAIT ELECTRONICS		A1
TB8000		
RECITER RF TOP LEVEL		
IPN:	ISSUE:	VARIANT NUMBER:
220-02025-09	A	XBAR40H2
FILE DATE:	Thu Sep 22 14:01:35 2005	SHEET NUMBER:
ENGINEER:	FILE NAME:	SHEET NUMBER:
S Heald	220_02025	1 OF 15



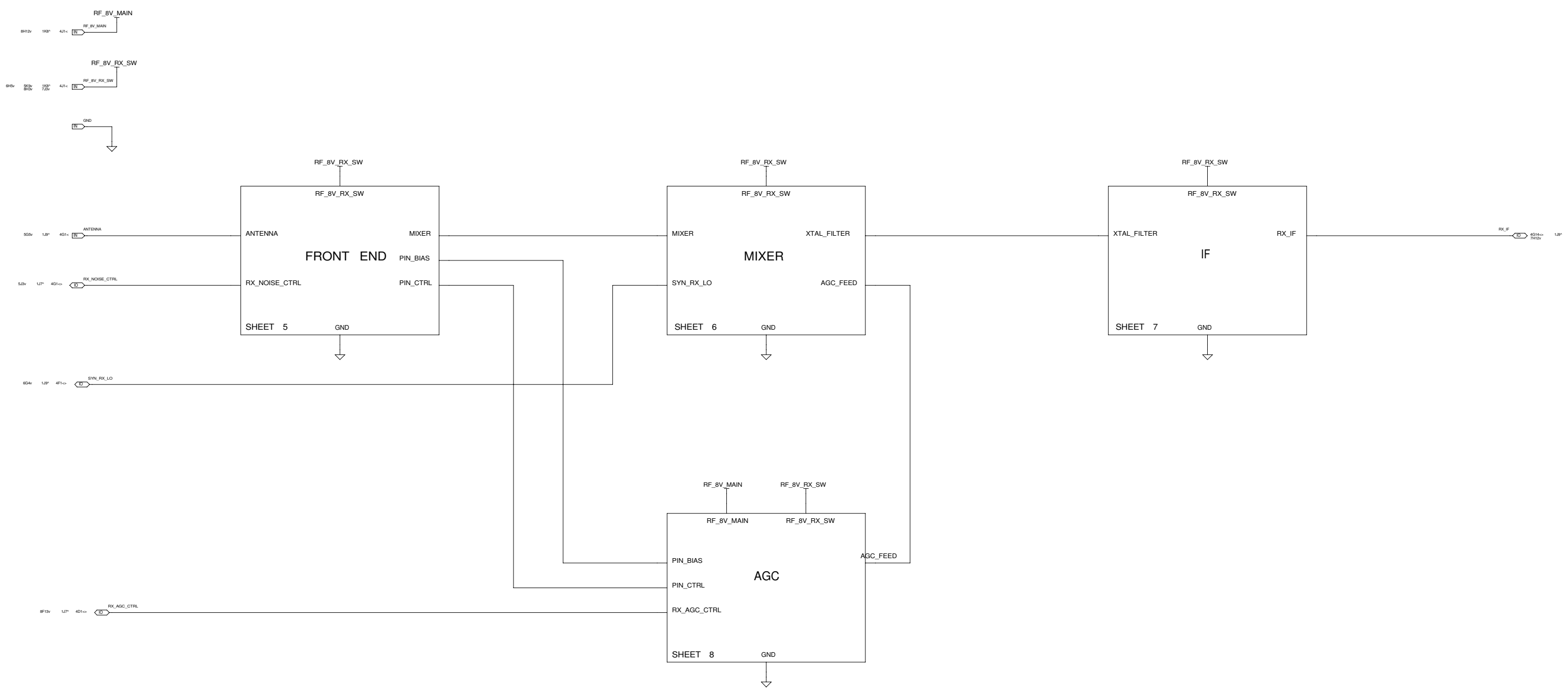
© TAIT ELECTRONICS		A1
TB8000 POWER SUPPLY		
IPN: 220-02025-09	ISSUE: A	VARIANT NUMBER: XBAR40H2
FILE DATE: Thu Sep 22 14:01:54 2005		
ENGINEER: S Heald	FILE NAME: 220_02025	SHEET NUMBER: 2 OF 15

REV/ISS	AMENDMENTS	DRAWN	CHKD	D.O.	APVD	DATE
1						
2						
3						
4						
5						
6						
7						
8						
9						
10						
11						
12						
13						
14						



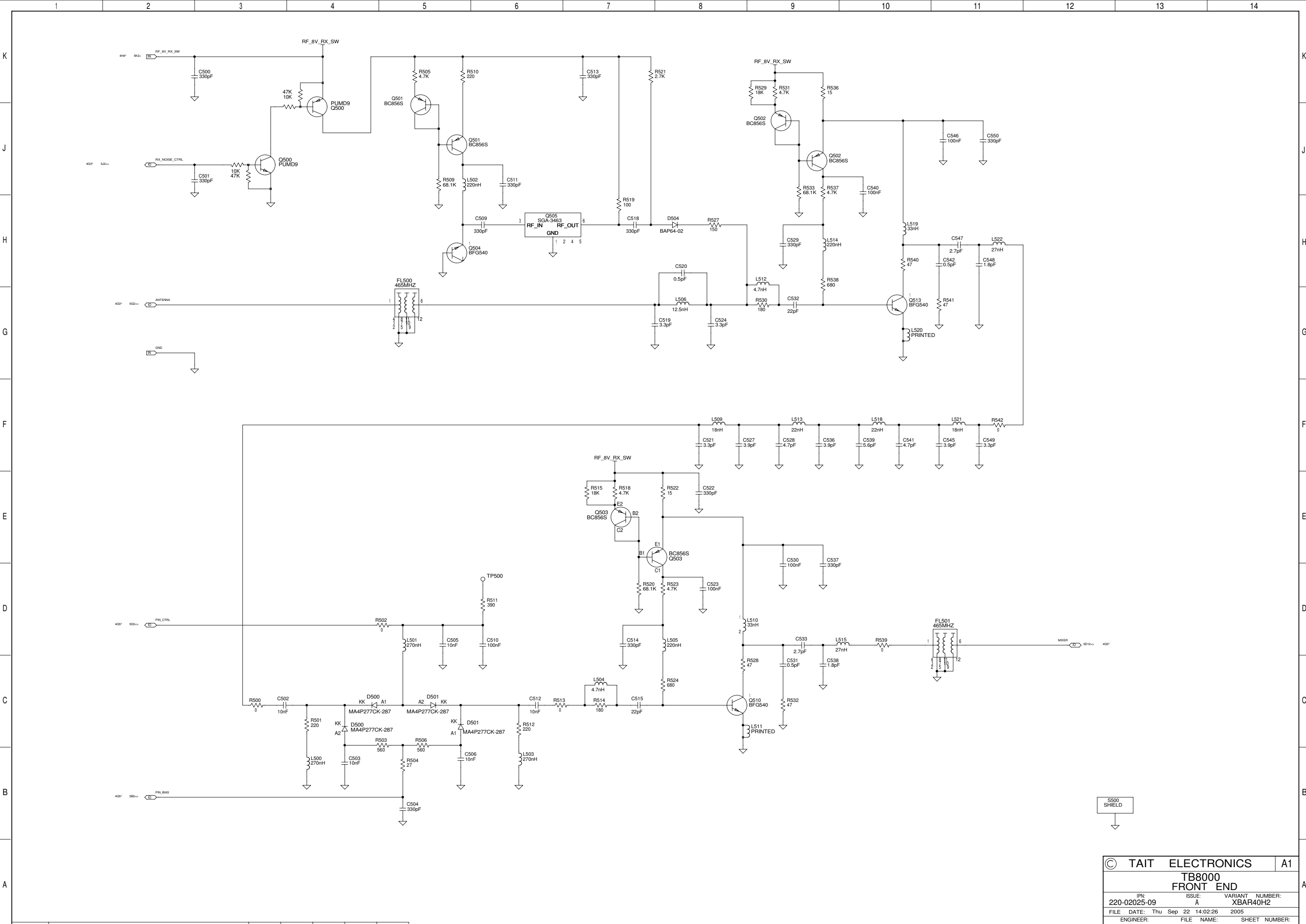
© TAIT ELECTRONICS		A1
TB8000 RF CONN		
IPN: 220-02025-09	ISSUE: A	VARIANT NUMBER: XBAR40H2
FILE DATE: Thu Sep 22 14:02:07 2005		
ENGINEER: S Heald	FILE NAME: 220_02025	SHEET NUMBER: 3 OF 15

REV/ISS	AMENDMENTS	DRAWN	CHKD	D.O.	APVD	DATE
1						
2						
3						
4						
5						
6						
7						
8						
9						
10						
11						
12						
13						
14						



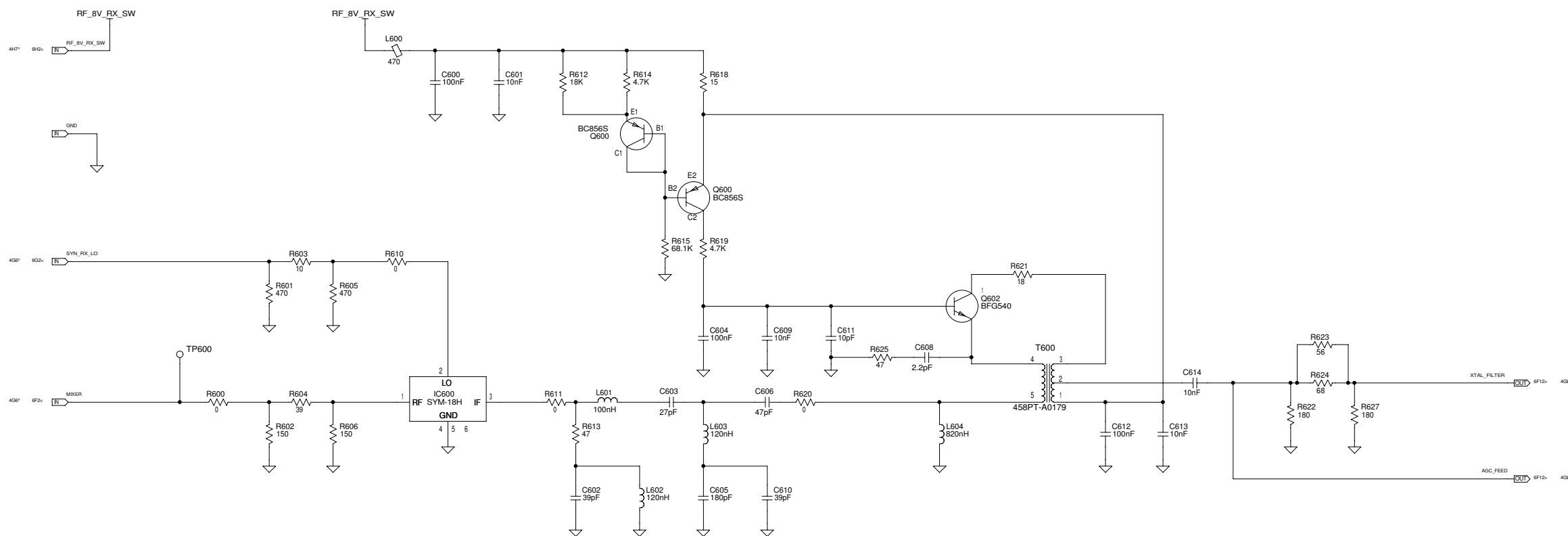
© TAIT ELECTRONICS		A1
TB8000 RECEIVER		
IPN: 220-02025-09	ISSUE: A	VARIANT NUMBER: XBAR40H2
FILE DATE: Thu Sep 22 14:02:10 2005		
ENGINEER: S Heald	FILE NAME: 220_02025	SHEET NUMBER: 4 OF 15

REV/ISS	AMENDMENTS	DRAWN	CHKD	D.O.	APVD	DATE
1						
2						
3						
4						
5						
6						
7						
8						
9						
10						
11						
12						
13						
14						



© TAIT ELECTRONICS		A1
TB8000 FRONT END		
IPN: 220-02025-09	ISSUE: A	VARIANT NUMBER: XBAR40H2
FILE DATE: Thu Sep 22 14:02:26 2005		
ENGINEER: S Heald	FILE NAME: 220_02025	SHEET NUMBER: 5 OF 15

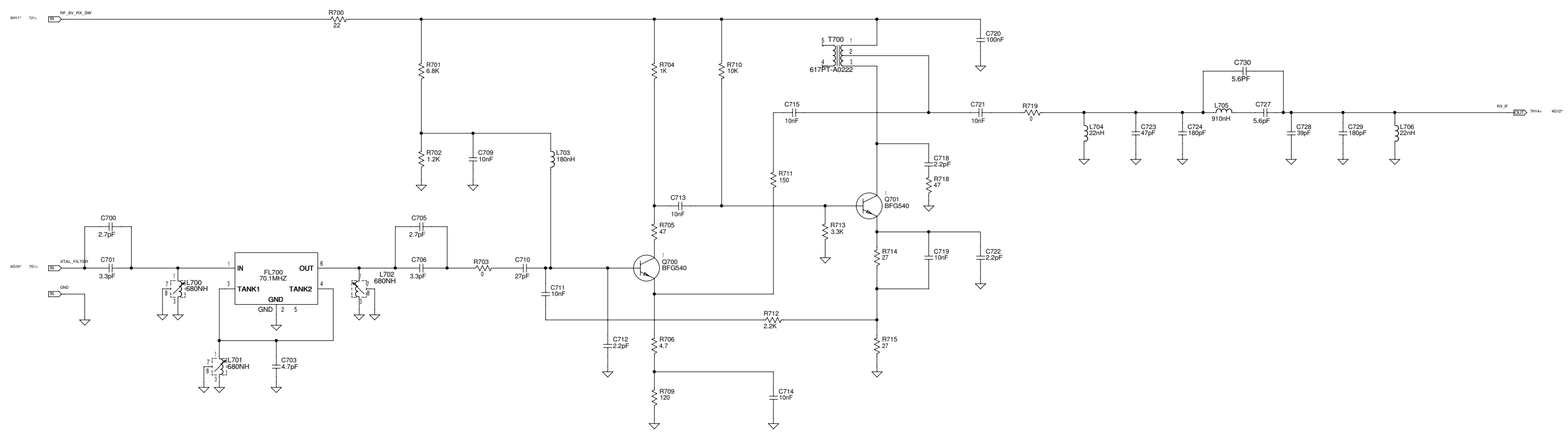
REV/ISS	AMENDMENTS	DRAWN	CHKD	D.O.	APVD	DATE
1						
2						
3						
4						
5						
6						
7						
8						
9						
10						
11						
12						
13						
14						



S600 SHIELD

© TAIT ELECTRONICS		A1
TB8000 MIXER		
IPN: 220-02025-09	ISSUE: A	VARIANT NUMBER: XBAR40H2
FILE DATE: Thu Sep 22 14:02:34 2005		
ENGINEER: S Heald	FILE NAME: 220_02025	SHEET NUMBER: 6 OF 15

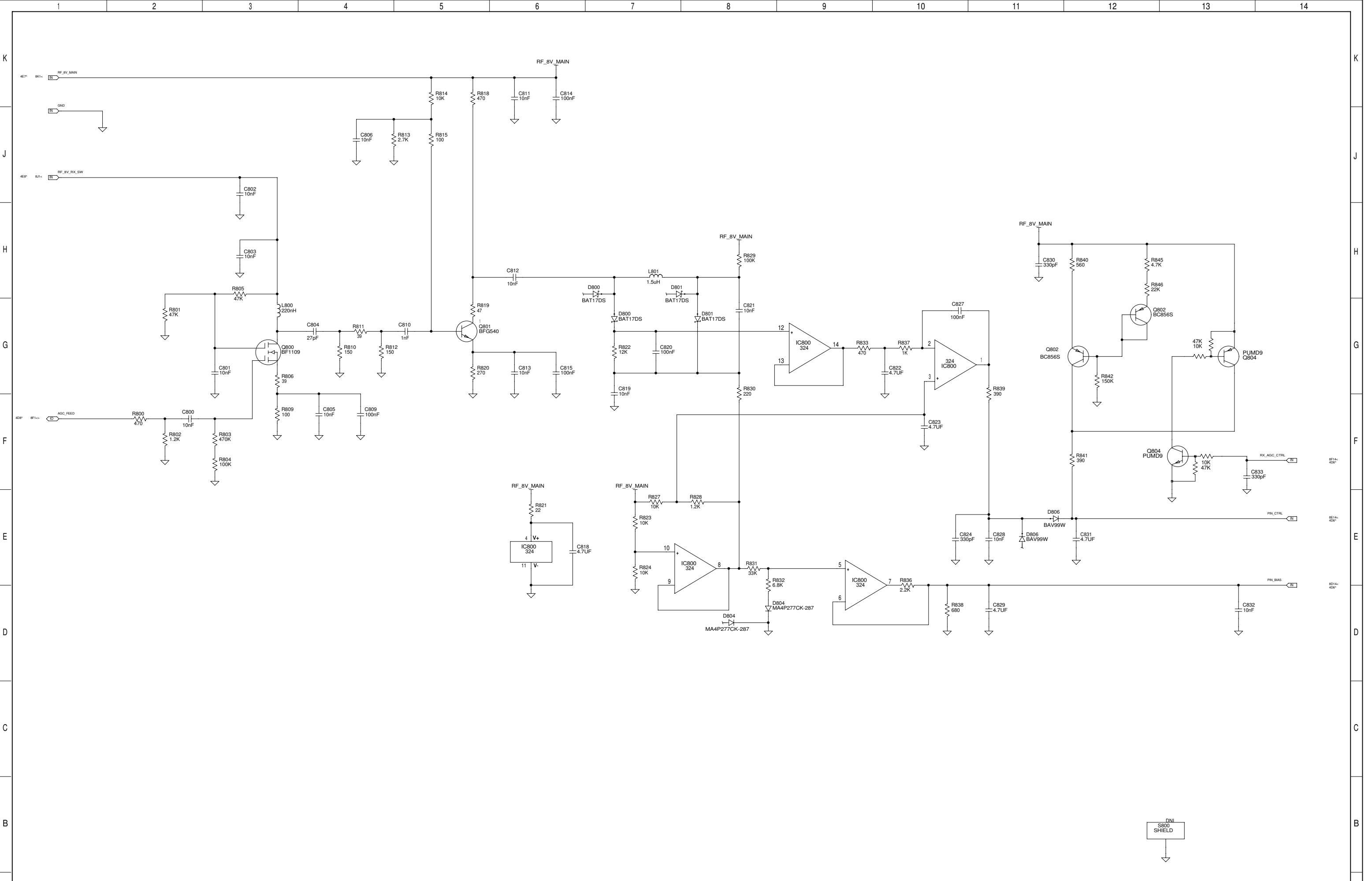
REV/ISS	AMENDMENTS	DRAWN	CHKD	D.O.	APVD	DATE
1						
2						
3						
4						
5						
6						
7						
8						
9						
10						
11						
12						
13						
14						



DNI
S700
SHIELD

© TAIT ELECTRONICS		A1
TB8000 IF		
IPN: 220-02025-09	ISSUE: A	VARIANT NUMBER: XBAR40H2
FILE DATE: Thu Sep 22 14:02:42 2005	FILE NAME: 220_02025	SHEET NUMBER: 7 OF 15
ENGINEER: S Heald	FILE NAME: 220_02025	SHEET NUMBER: 7 OF 15

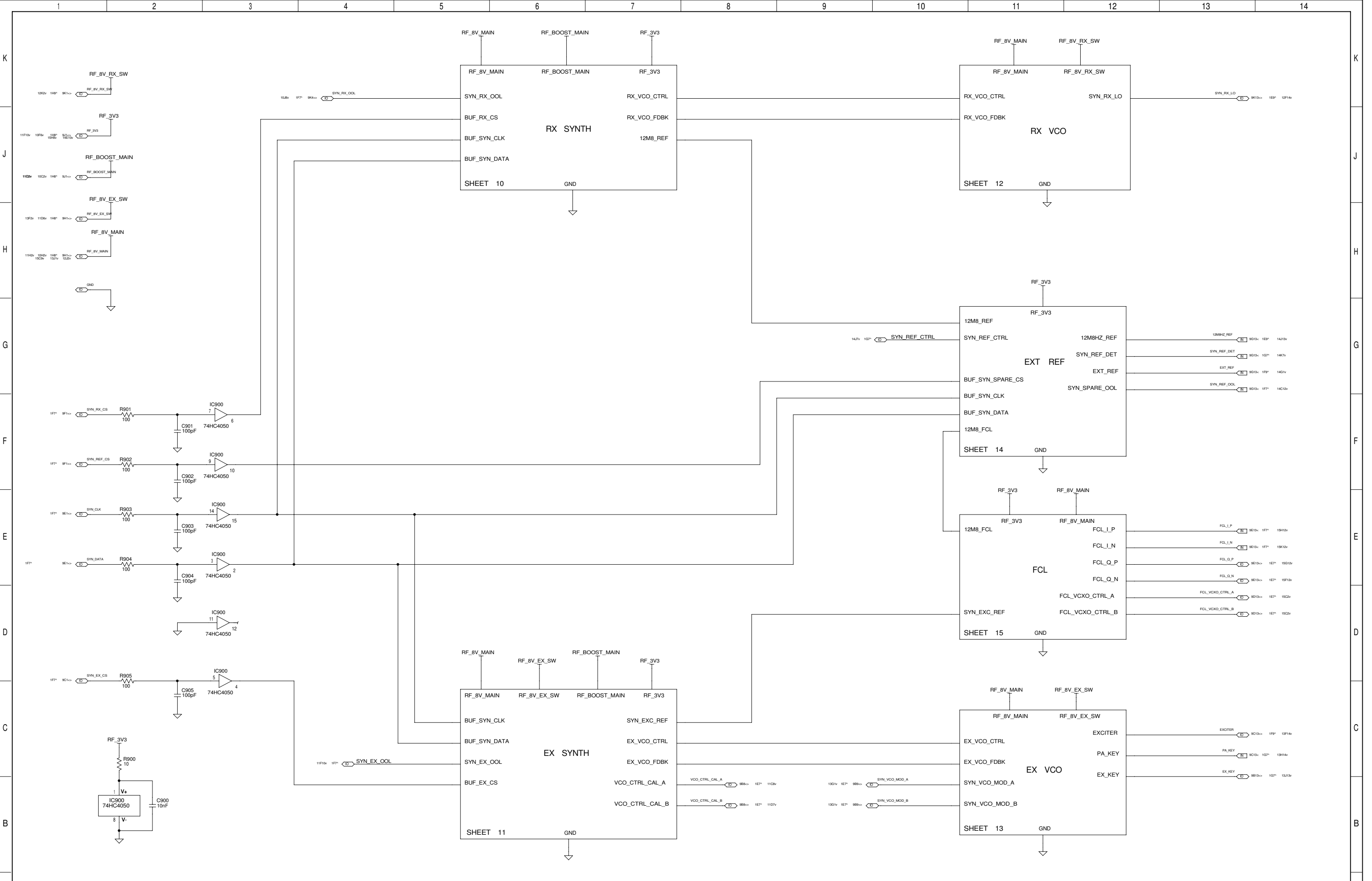
REV/ISS	AMENDMENTS	DRAWN	CHKD	D.O.	APVD	DATE
1						
2						
3						
4						
5						
6						
7						
8						
9						
10						
11						
12						
13						
14						



DNI
S800
SHIELD

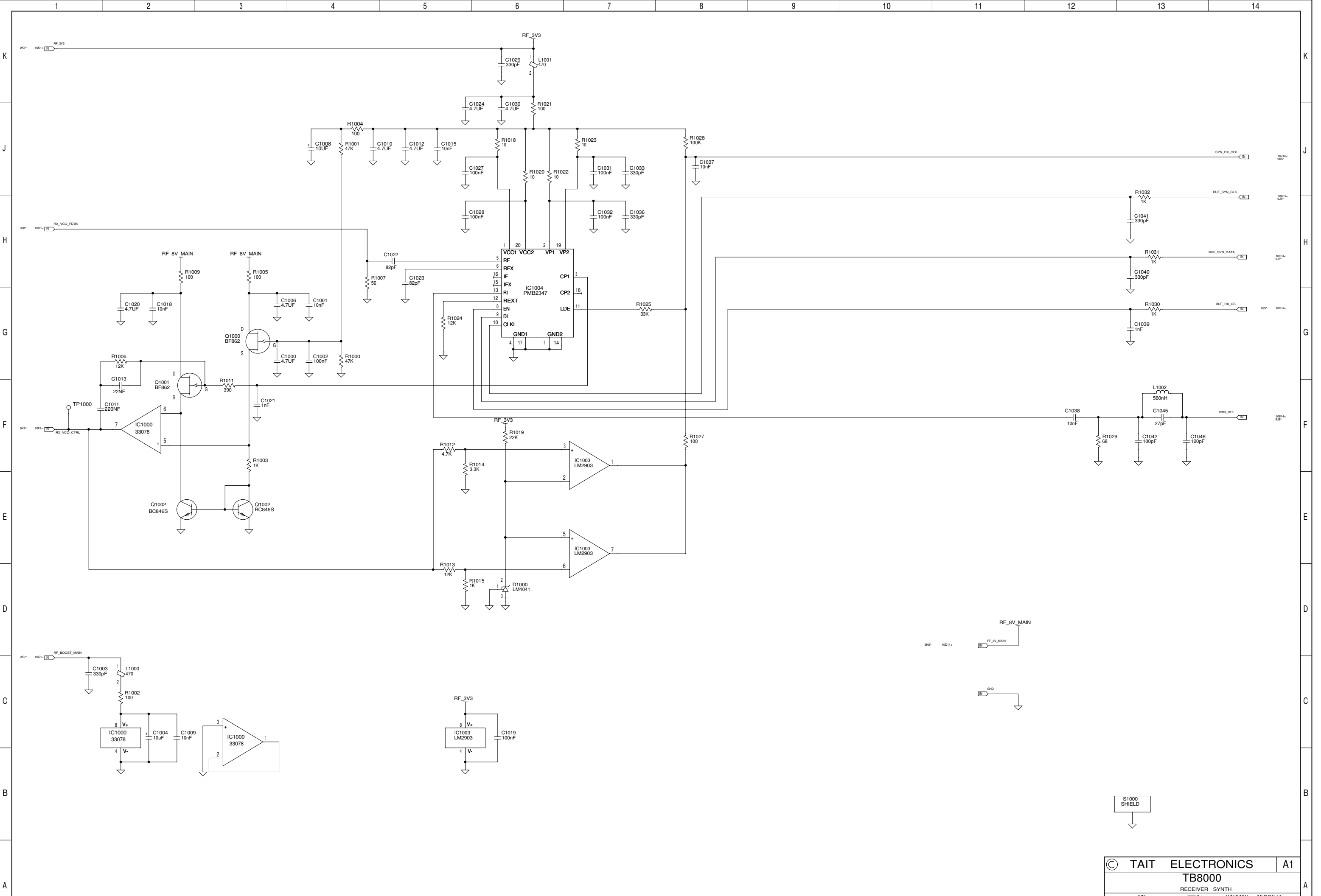
© TAIT ELECTRONICS		A1
TB8000 AGC		
IPN: 220-02025-09	ISSUE: A	VARIANT NUMBER: XBAR40H2
FILE DATE: Thu Sep 22 14:02:55 2005	SHEET NUMBER: 8 OF 15	
ENGINEER: S Heald	FILE NAME: 220_02025	SHEET NUMBER: 8 OF 15

REV/ISS	AMENDMENTS	DRAWN	CHKD	D.O.	APVD	DATE
1						
2						
3						
4						
5						
6						
7						
8						
9						
10						
11						
12						
13						
14						



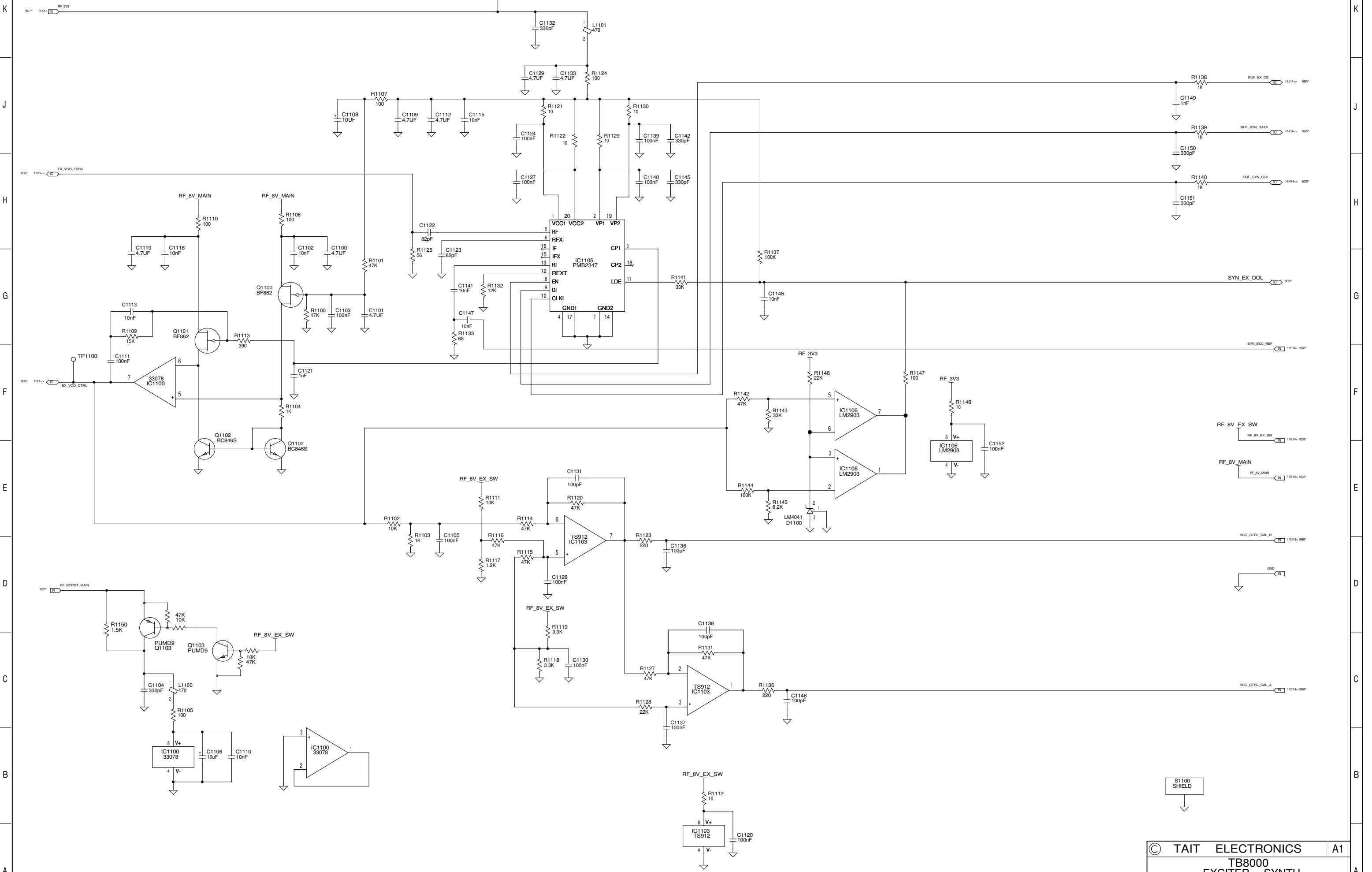
© TAIT ELECTRONICS		A1
TB8000 SYNTH & VCOS		
IPN: 220-02025-09	ISSUE: A	VARIANT NUMBER: XBAR40H2
FILE DATE: Thu Sep 22 14:03:02 2005		
ENGINEER: S Heald	FILE NAME: 220_02025	SHEET NUMBER: 9 OF 15

REV/ISS	AMENDMENTS	DRAWN	CHKD	D.O.	APVD	DATE
1						
2						
3						
4						
5						



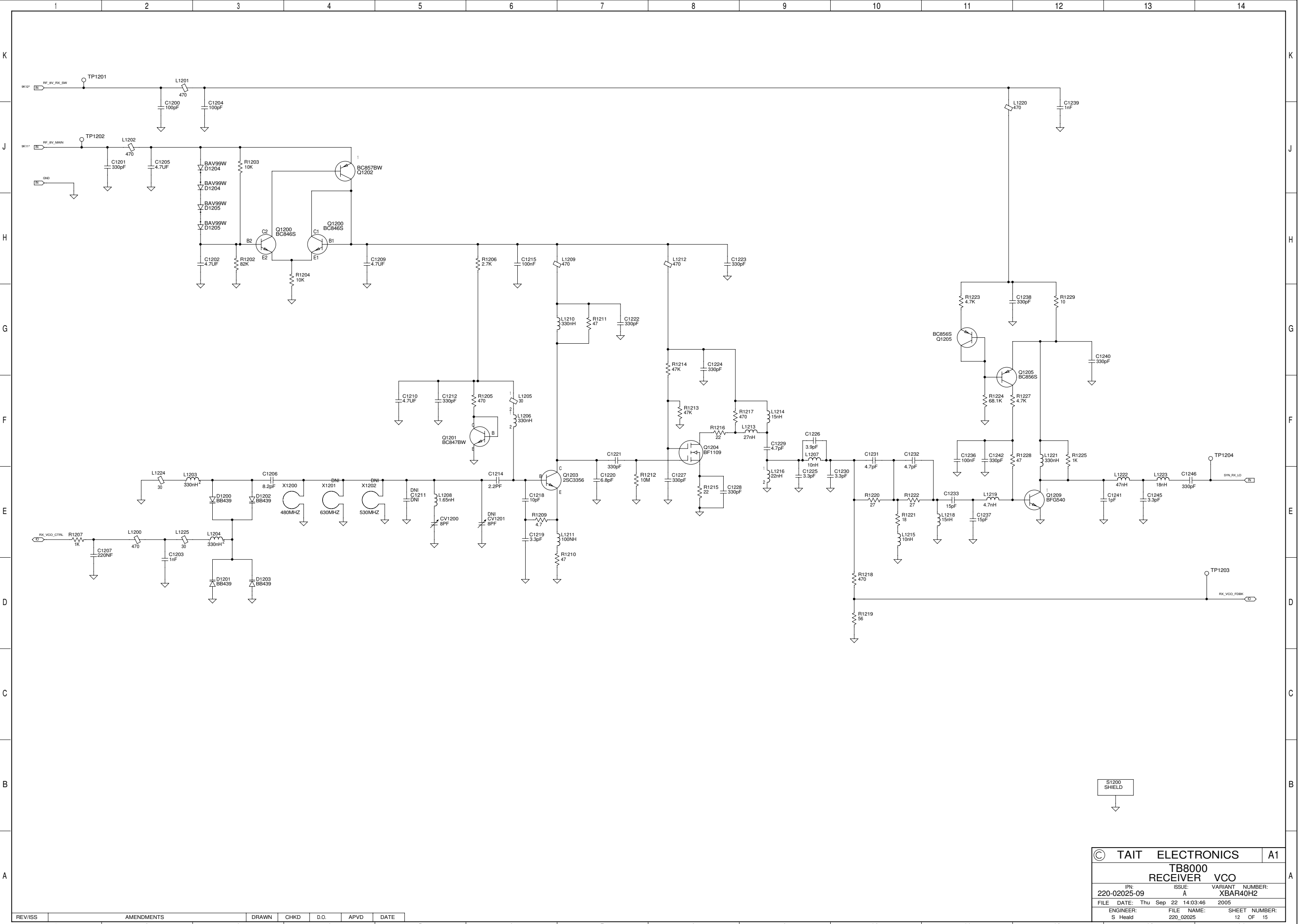
© TAIT ELECTRONICS		A1
TB8000		
RECEIVER SYNTH		
IPN: 220-02025-09	ISSUE: A	VARIANT NUMBER: XBAR40H2
FILE DATE: Thu Sep 22 14:03:14 2005		
ENGINEER: S Heald	FILE NAME: 220_02025	SHEET NUMBER: 10 OF 15

REV/ISS	AMENDMENTS	DRAWN	CHKD	D.O.	APVD	DATE
1						
2						
3						
4						
5						
6						
7						
8						
9						
10						
11						
12						
13						
14						



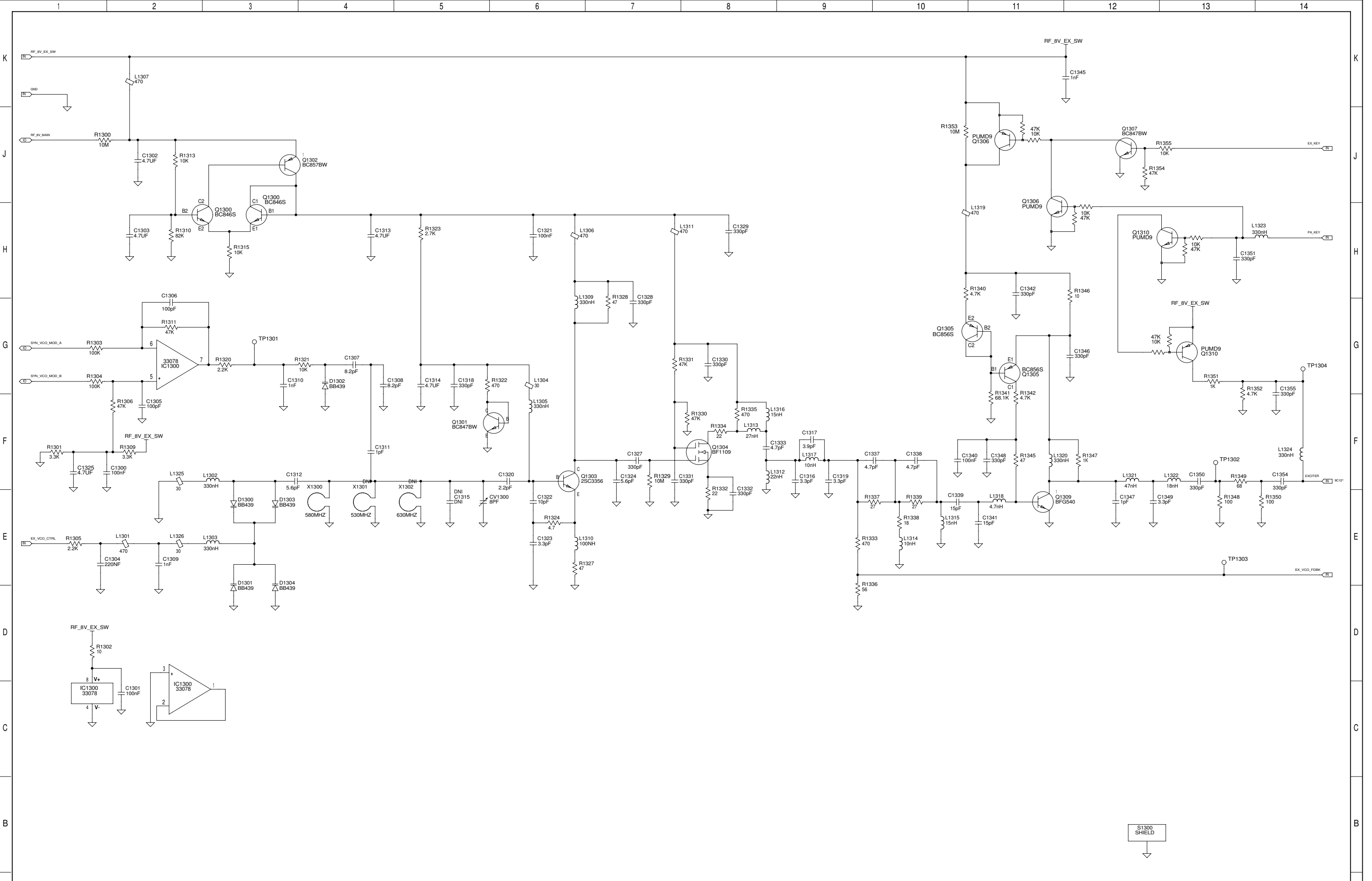
© TAIT ELECTRONICS		A1
TB8000 EXCITER SYNTH		
IPN: 220-02025-09	ISSUE: A	VARIANT NUMBER: XBAR40H2
FILE DATE: Thu Sep 22 14:03:30 2005	ENGINEER: S Heald	FILE NAME: 220_02025
		SHEET NUMBER: 11 OF 15

REV/ISS	AMENDMENTS	DRAWN	CHKD	D.O.	APVD	DATE
1						
2						
3						
4						
5						



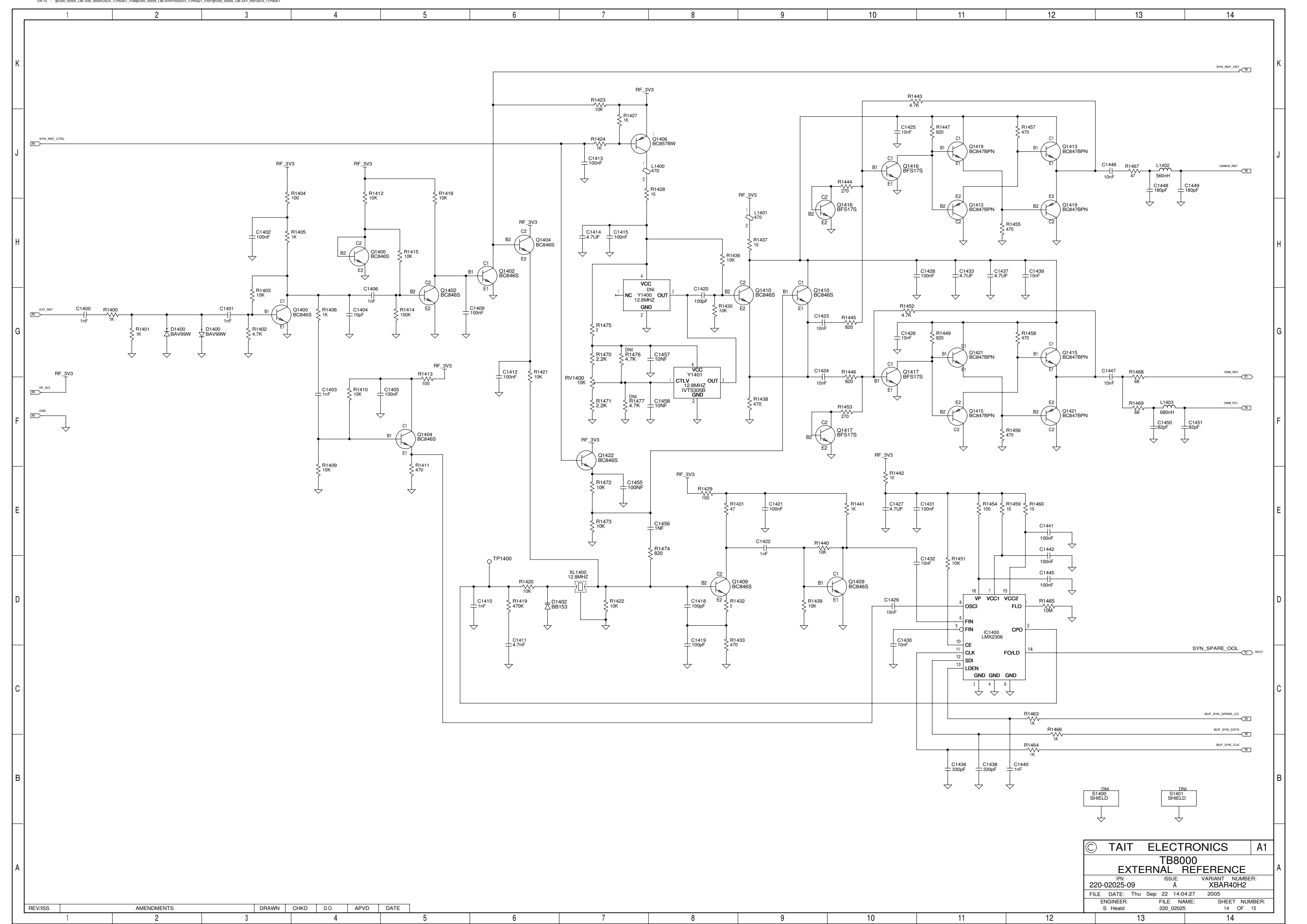
© TAIT ELECTRONICS		A1
TB8000 RECEIVER VCO		
IPN: 220-02025-09	ISSUE: A	VARIANT NUMBER: XBAR40H2
FILE DATE: Thu Sep 22 14:03:46 2005	SHEET NUMBER: 12 OF 15	
ENGINEER: S Heald	FILE NAME: 220_02025	SHEET NUMBER: 12 OF 15

REV/ISS	AMENDMENTS	DRAWN	CHKD	D.O.	APVD	DATE
1						
2						
3						
4						
5						
6						
7						
8						
9						
10						
11						
12						
13						
14						



© TAIT ELECTRONICS		A1
TB8000 EXCITER VCO		
IPN: 220-02025-09	ISSUE: A	VARIANT NUMBER: XBAR40H2
FILE DATE: Thu Sep 22 14:04:06 2005	ENGINEER: S Heald	FILE NAME: 220_02025
		SHEET NUMBER: 13 OF 15

REV/ISS	AMENDMENTS	DRAWN	CHKD	D.O.	APVD	DATE
1						
2						
3						
4						
5						
6						
7						
8						
9						
10						
11						
12						
13						
14						

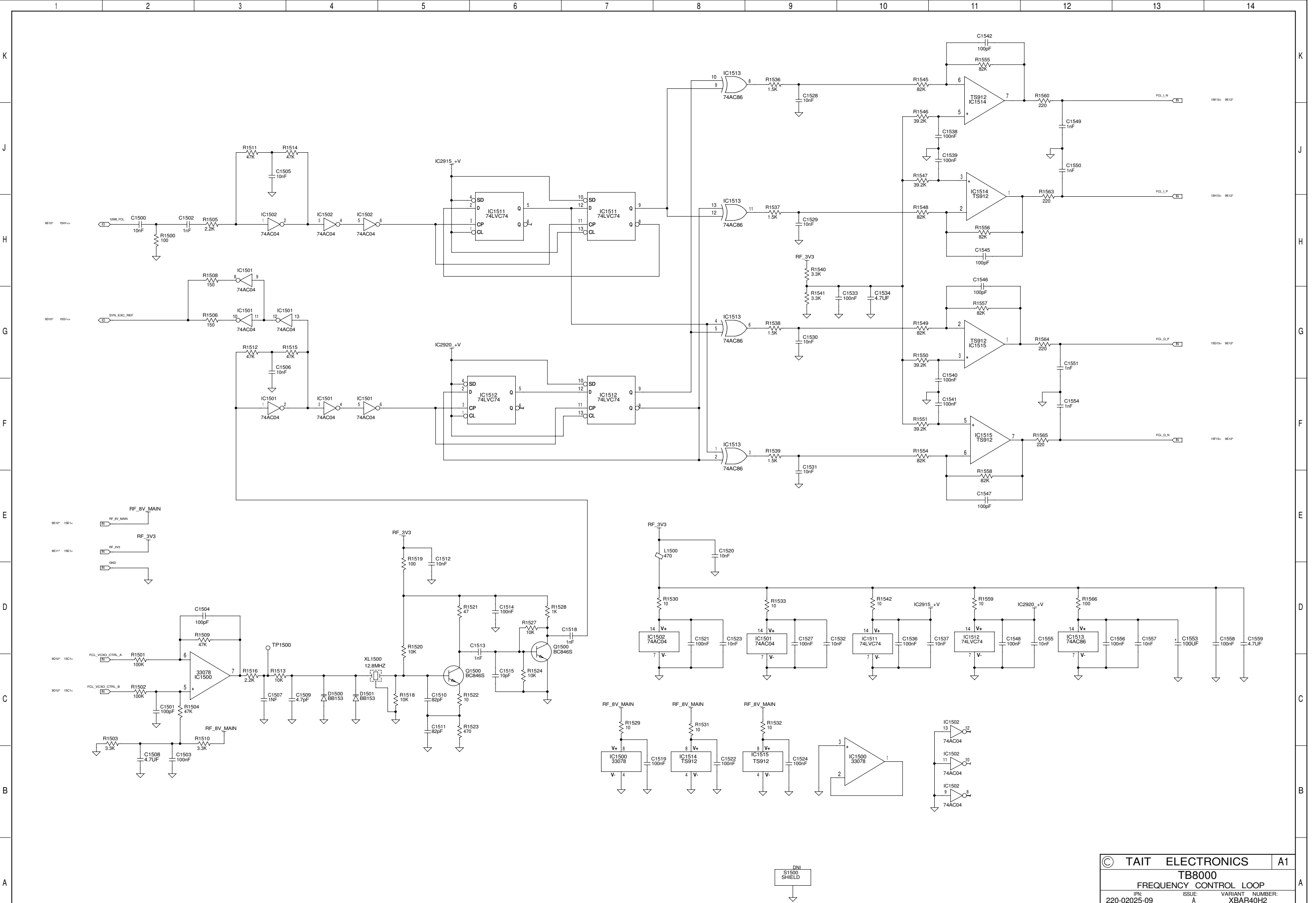


© TAIT ELECTRONICS		A1
TB8000		
EXTERNAL REFERENCE		
IPN: 220-02025-09	ISSUE: A	VARIANT NUMBER: XBAR40H2
FILE DATE: Thu Sep 22 14:04:27 2005		
ENGINEER: S Heald	FILE NAME: 220_02025	SHEET NUMBER: 14 OF 15

REV/ISS	AMENDMENTS	DRAWN	CHKD	D.O.	APVD	DATE
1						
2						
3						
4						
5						

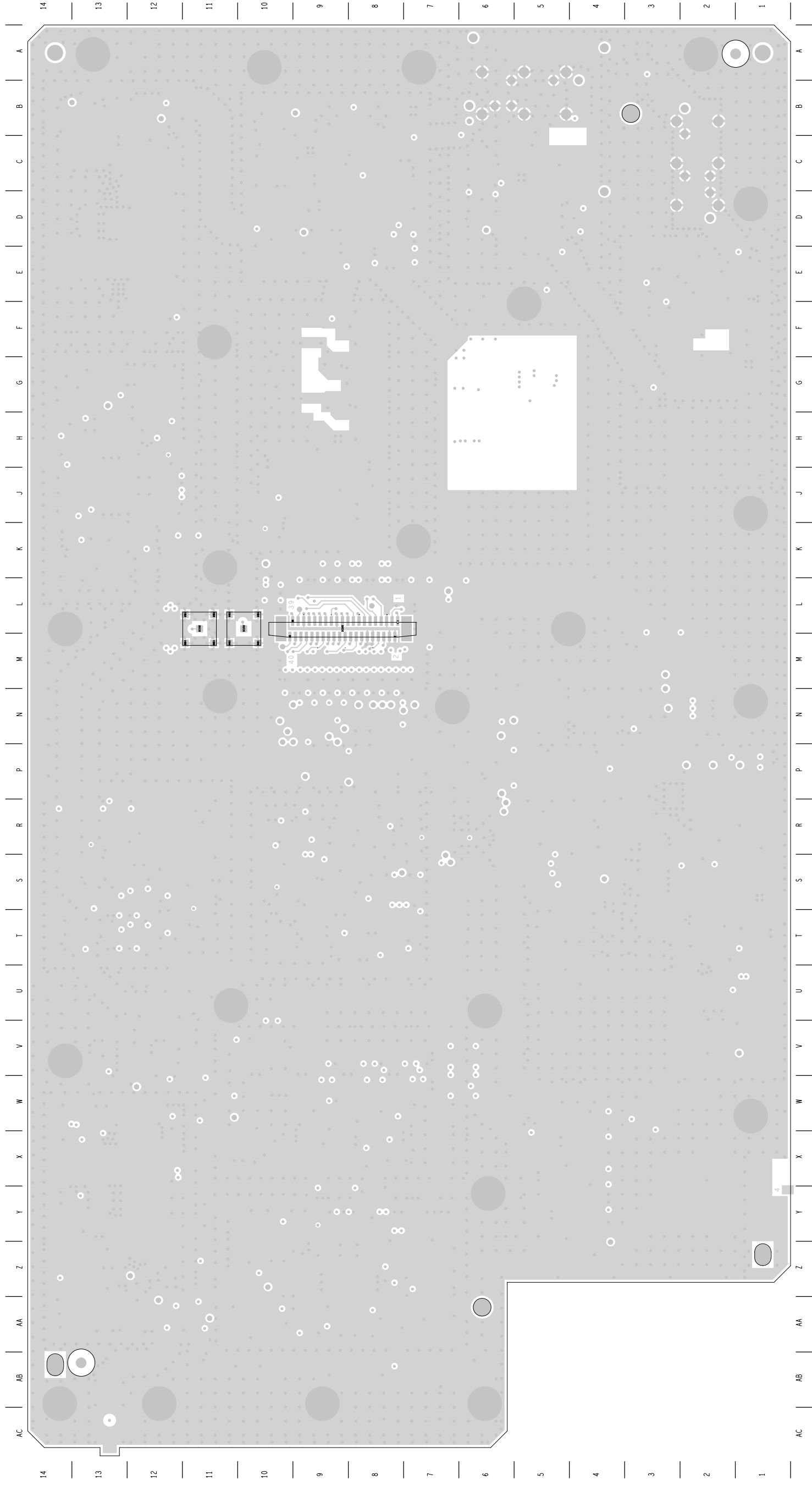
DNI
S1400
SHIELD

DNI
S1401
SHIELD



© TAIT ELECTRONICS		A1
TB8000		
FREQUENCY CONTROL LOOP		
IPN: 220-02025-09	ISSUE: A	VARIANT NUMBER: XBAR40H2
FILE DATE: Thu Sep 22 14:04:48 2005	ENGINEER: S Heald	FILE NAME: 220_02025
		SHEET NUMBER: 15 OF 15

REV/ISS	AMENDMENTS	DRAWN	CHKD	D.O.	APVD	DATE
1						
2						
3						
4						
5						
6						
7						
8						
9						
10						
11						
12						
13						
14						



TAIT ELECTRONICS	ISS: A	DATE: 13Sep05	SCALE: NTS
TB8100 Reciter RF UHF LAYOUT-SECONDARY-SIDE			